

RSX OIL COOLED OPTION

Tolomatic™
EXCELLENCE IN MOTION
...MAXIMUM DURABILITY

RSX ACTUATORS

- An ideal choice for replacing hydraulic cylinders
- Available for all RSX sizes
- Designed for 100% duty cycle, rugged service and long life

OIL COOLED OPTION

- Provides up to 2 times the work capacity compared to standard grease RSX actuators.

TUBE

- Steel thrust tube supports extremely high force capabilities
- Salt bath nitride treatment provides excellent corrosion resistance, surface hardness and is very resistant to adherence of potential contaminants

YOUR MOTOR HERE

Motors and gearboxes up to 290 mm motor frame size

PLANETARY ROLLER SCREWS

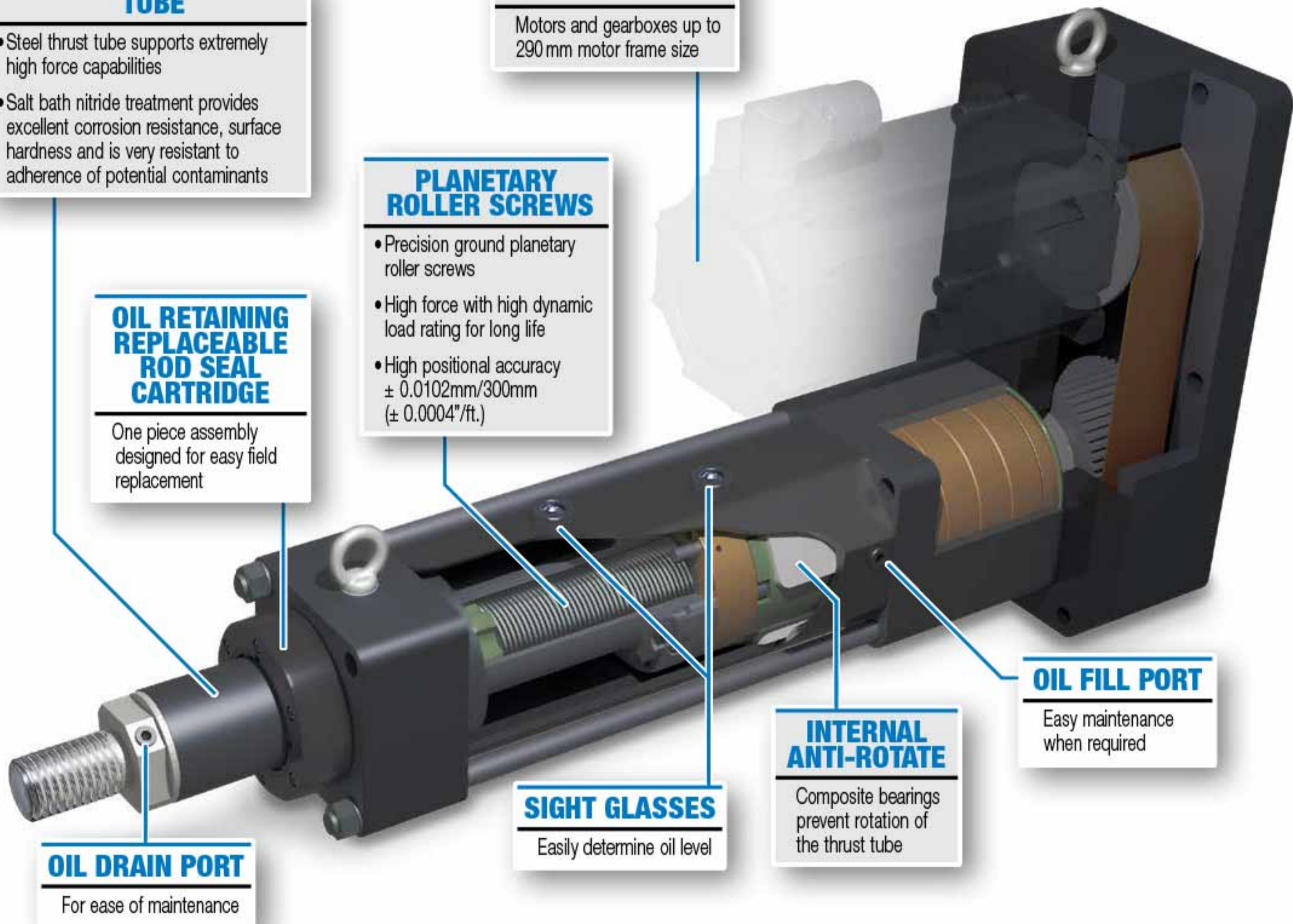
- Precision ground planetary roller screws
- High force with high dynamic load rating for long life
- High positional accuracy $\pm 0.0102\text{mm}/300\text{mm}$ ($\pm 0.0004"/\text{ft.}$)

OIL RETAINING REPLACEABLE ROD SEAL CARTRIDGE

One piece assembly designed for easy field replacement

ENDURANCE TECHNOLOGY™

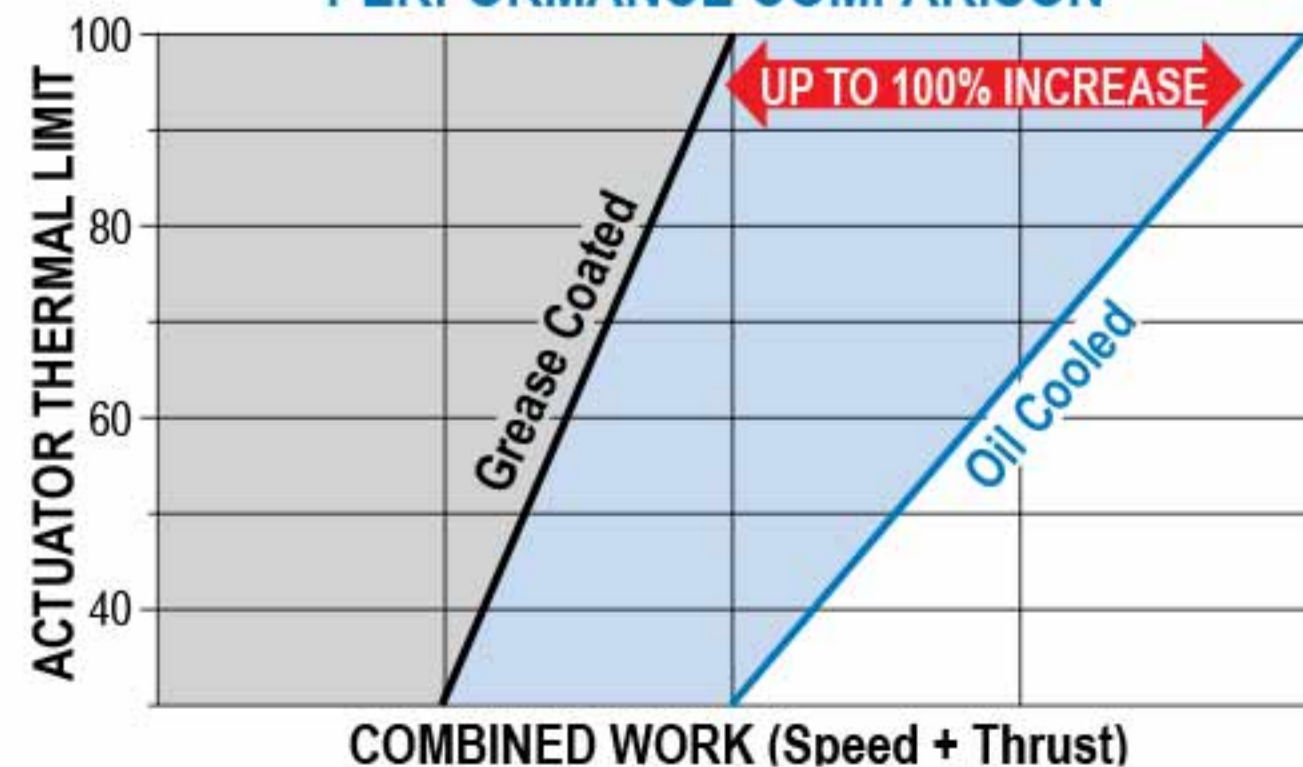
A Tolomatic Design Principle



What does Oil Cooled mean?

An unpressurized synthetic oil bath around the screw and nut replaces the standard (extreme temperature and pressure rated) grease. The oil bath efficiently reduces internal temperatures while simultaneously providing lubrication.

PERFORMANCE COMPARISON



Please contact Tolomatic for performance of other oil cooled RSX sizes