

OPTIONS (Available for all RSA actuators unless noted)

• METRIC OPTION

Provides metric tapped holes for mounting of load to rod end and of actuator to mating surfaces



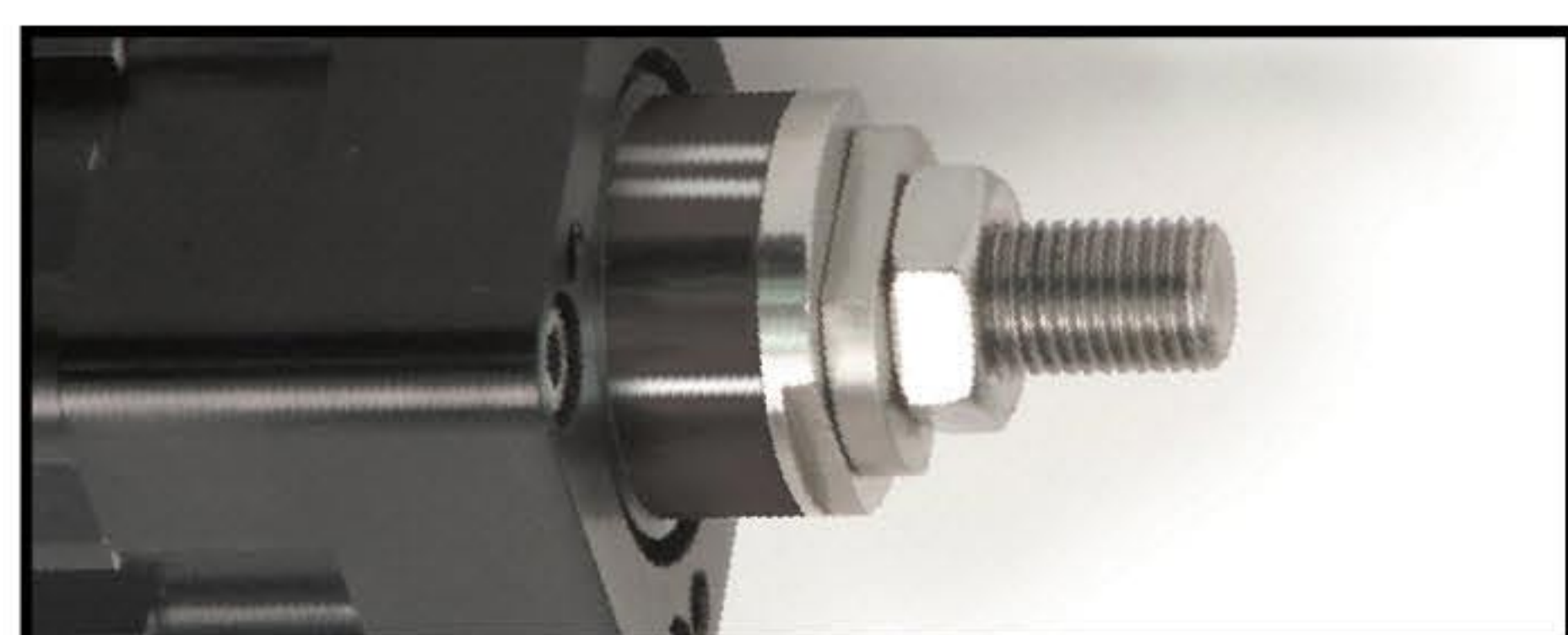
• SWITCHES

Choose from: Reed, Solid State PNP or NPN, all available normally open or normally closed

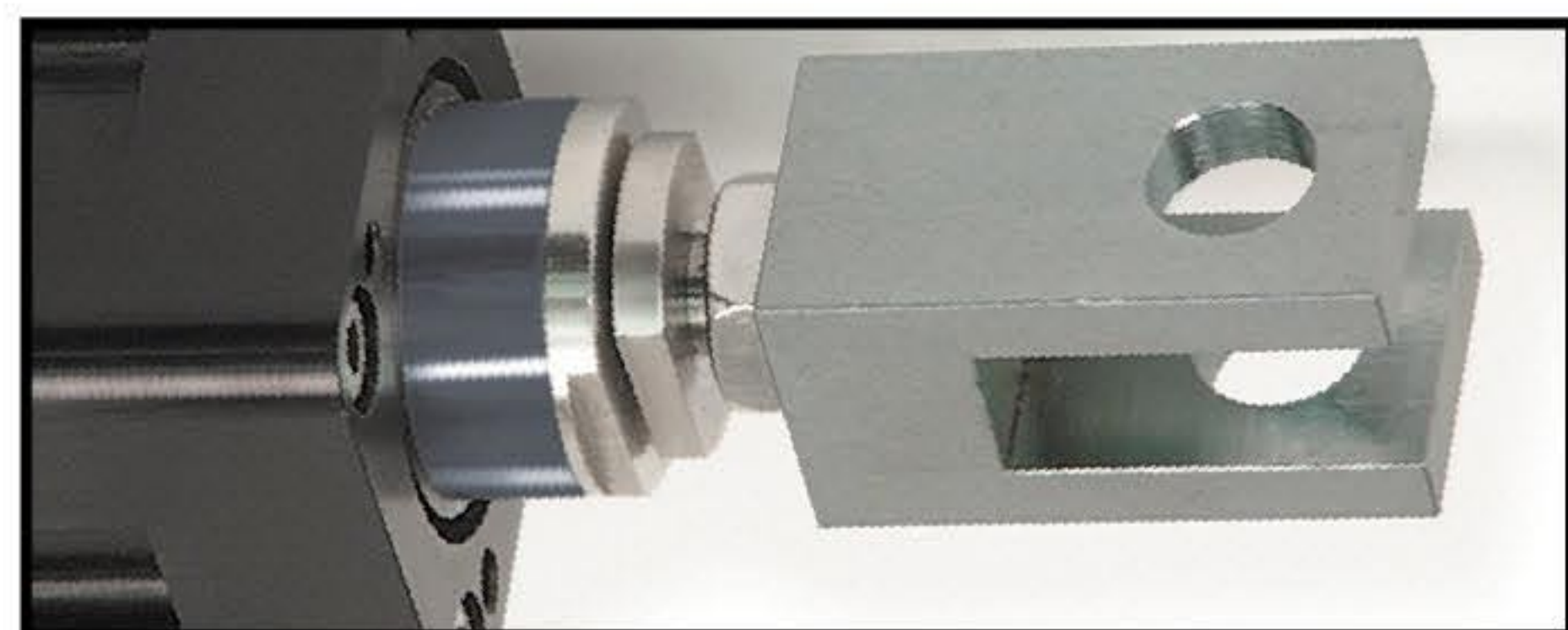
• IP67

Static: special gaskets for basic protection against water and dust ingress
32,50,64 sizes only: HT actuator (LMI and RP); ST actuator (RP motor mount only)

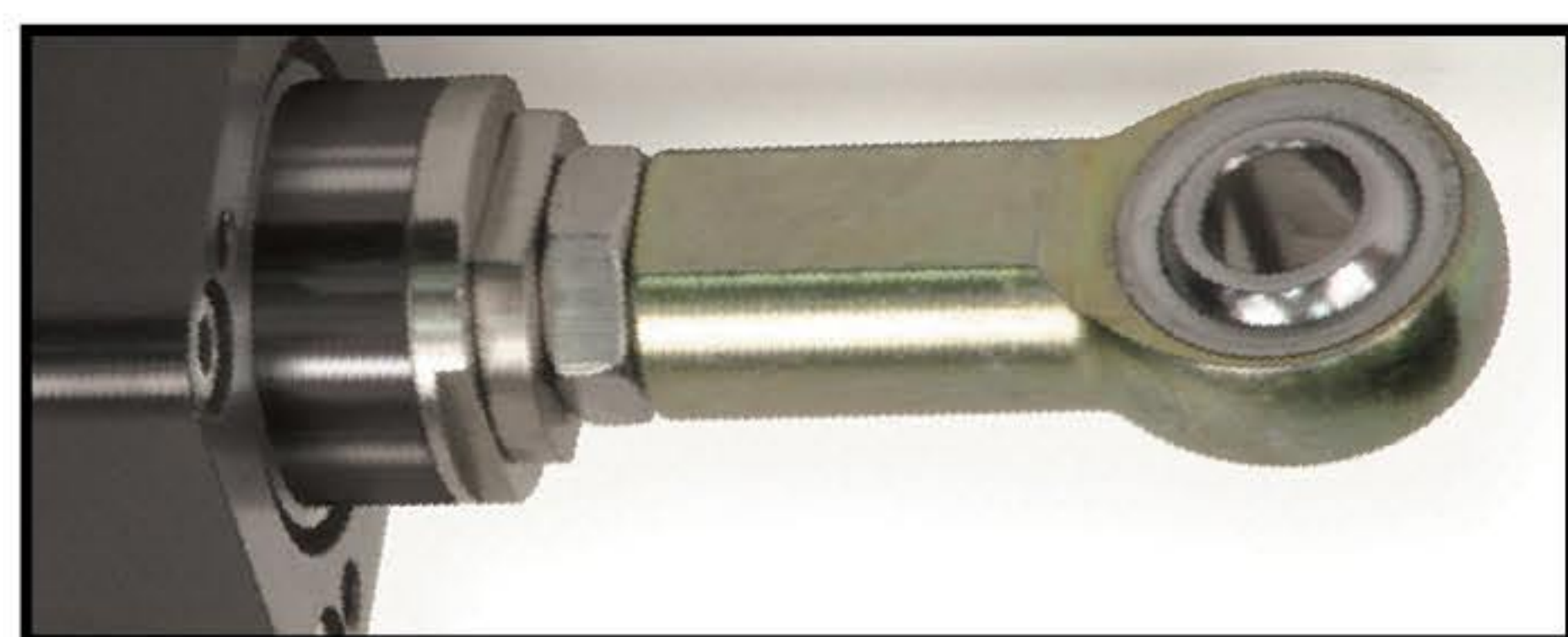
ROD END



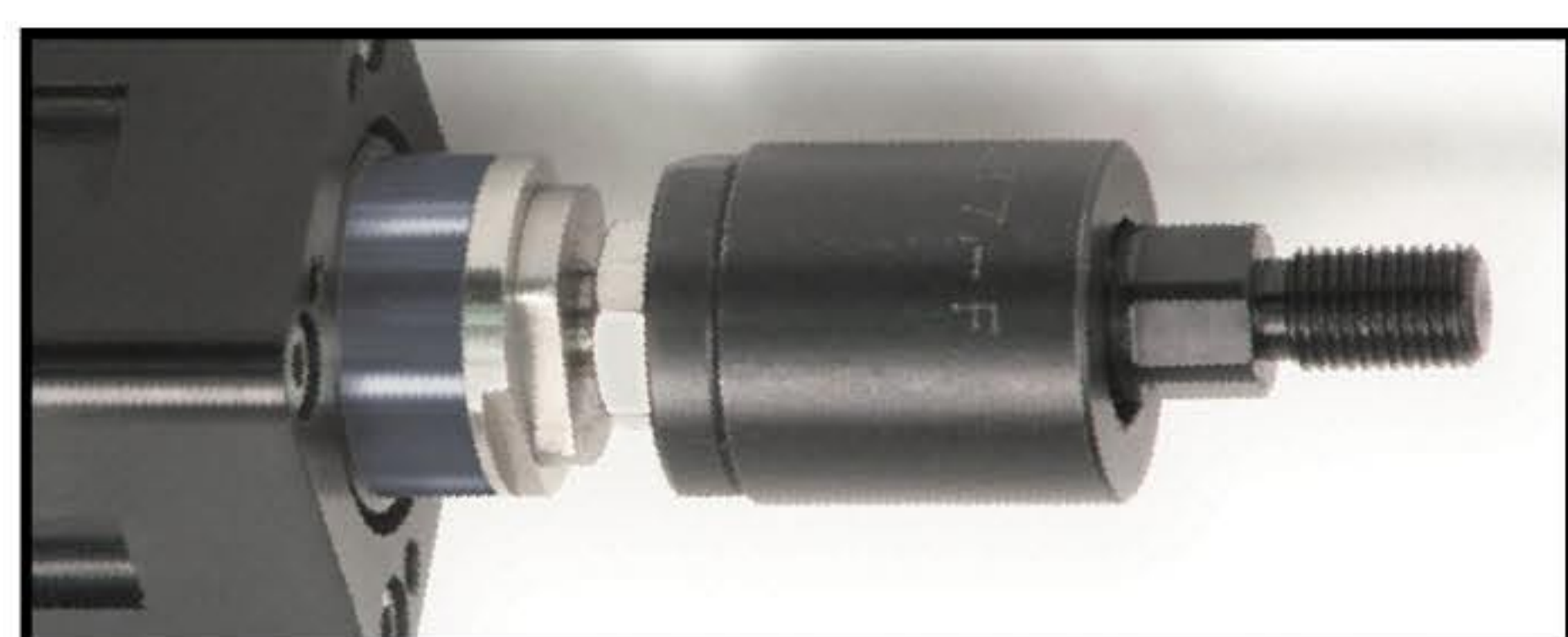
- **MET: External Threads**
male threads



- **CLV: Clevis Rod End** for pivoting mount



- **SRE: Spherical Rod End** for pivoting mount



- **ALC: Alignment Coupler Rod End** to compensate for mounting alignment



- **XR: Rod Extension** to separate load from the actuator

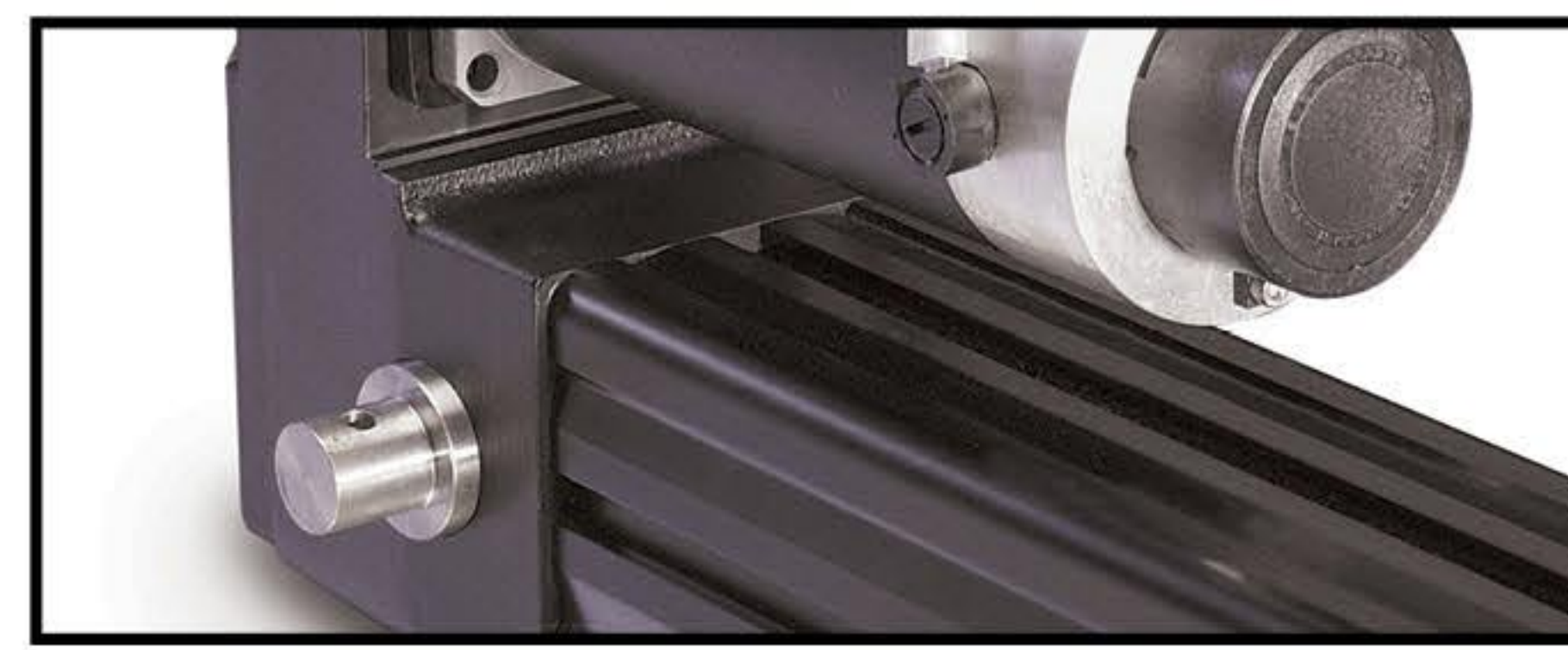
MOUNTING



- **MP2: Mounting Plates** for surface mounting



- **FFG: Front Flange** for mounting near rod end



- **TRR: Trunnion Mount** for pivoting mount

Below are for RP Motor mounting only



- **FM2: Foot Mount** for surface or end mounting



- **BFG: Rear Flange** for mounting opposite the rod end



- **PCD: Clevis**
- **PCS: Eye Mount** for pivoting mount