

PLANETARY ROLLER SCREWS

ENDURANCE TECHNOLOGYSM

A Tolomatic Design Principle

Endurance Technology features are designed for maximum durability to provide extended service life.

Tolomatic planetary roller screws offer machine designers a robust, compact, high force linear motion solution. Long life, flexible design and efficient operation ensure minimal downtime and maximize ROI. Now available in standard sizes, leads, and lengths built-to-order.

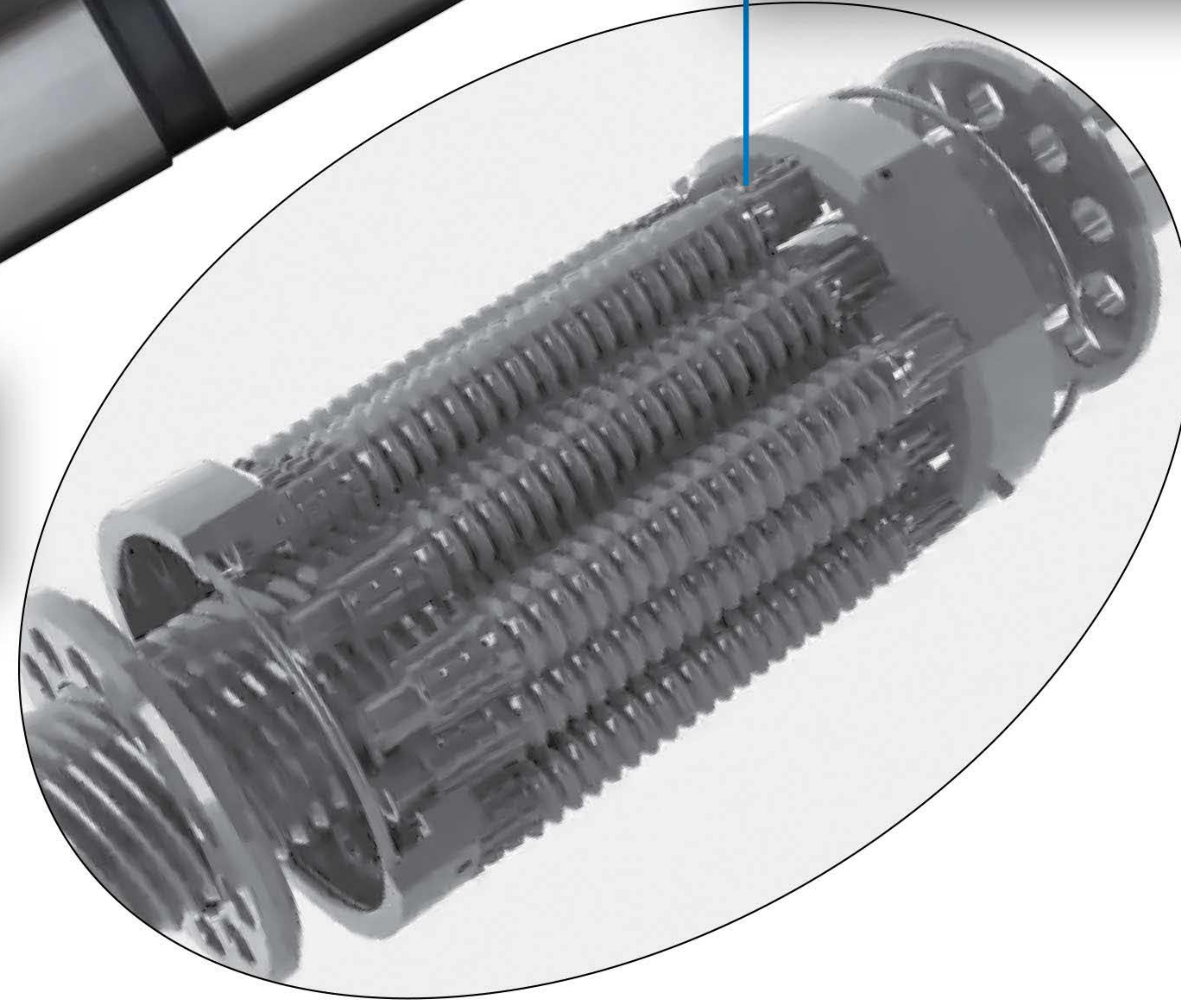
PLANETARY ROLLERS

- Precision ground on state-of-the-art machines to high tolerances for smooth and efficient operation
- High dynamic load ratings for long life



PLANETARY GEARS

High tech quality control & measurement lab assures superior performance for every component



ROLLER NUT

Increased contact points for high load carrying capacity

ROLLER SCREW

State-of-the-art manufacturing coupled with extensive statistical testing methods ensures high performance within tight specifications

HARDENED STEEL

- Screw, nut and rollers are manufactured with specially hardened steel for maximum durability and long life
- Designed and tested for demanding applications
- High load capacities

MACHINED ENDS

- Screw ends and bearing journals custom machined to fit most application requirements
- Easy integration into machine designs and concepts

SCREW SIZE	LEAD
<i>mm</i>	<i>mm</i>
15	4, 5, 10
20	4, 5, 10
30	5, 10
36	5, 10
39	10
48	12
63	10

See page 6 for complete list of screw sizes, lead availability, dimensions and specifications



*Lead times are dependent on quantity and machined end specifications