

TRS Twin Rail Stage

The TRS twin profile rail stage with enclosed design is built to be highly rigid and accurate. Capable of handling loads up to 1,356 lb (615 kg)



Cutaway View

TolomaticTM
EXCELLENCE *IN MOTION*

TRS Twin Rail Stage

The TRS twin profile rail stage with enclosed design is built to be highly rigid and accurate. Capable of handling loads up to 1,356 lb (615 kg)



HIGH RIGIDITY

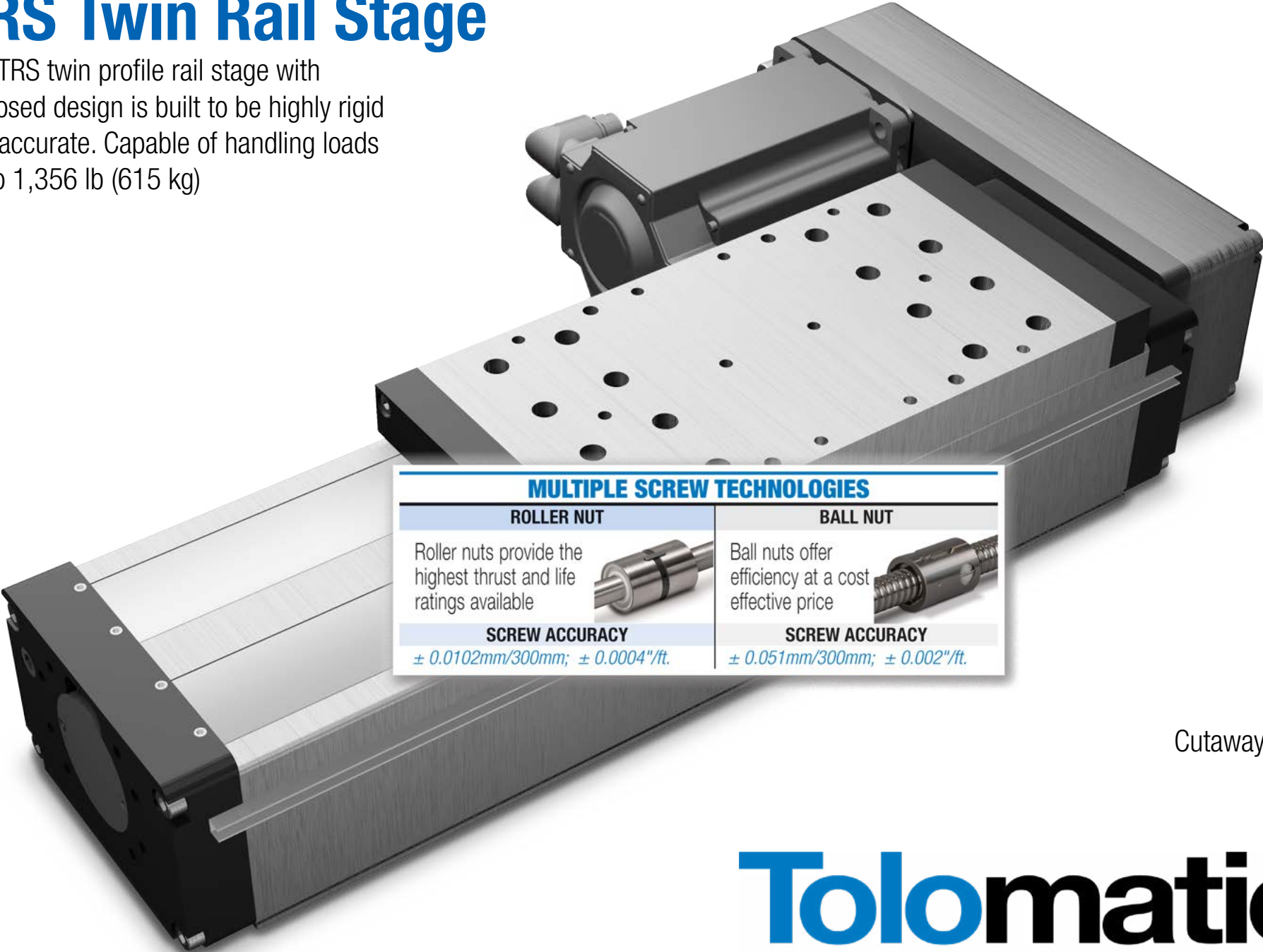
Twin rails each with 2 bearings minimizes deflection for reliable and accurate positioning along the length of travel

Cutaway View

TolomaticTM
EXCELLENCE *IN MOTION*

TRS Twin Rail Stage

The TRS twin profile rail stage with enclosed design is built to be highly rigid and accurate. Capable of handling loads up to 1,356 lb (615 kg)

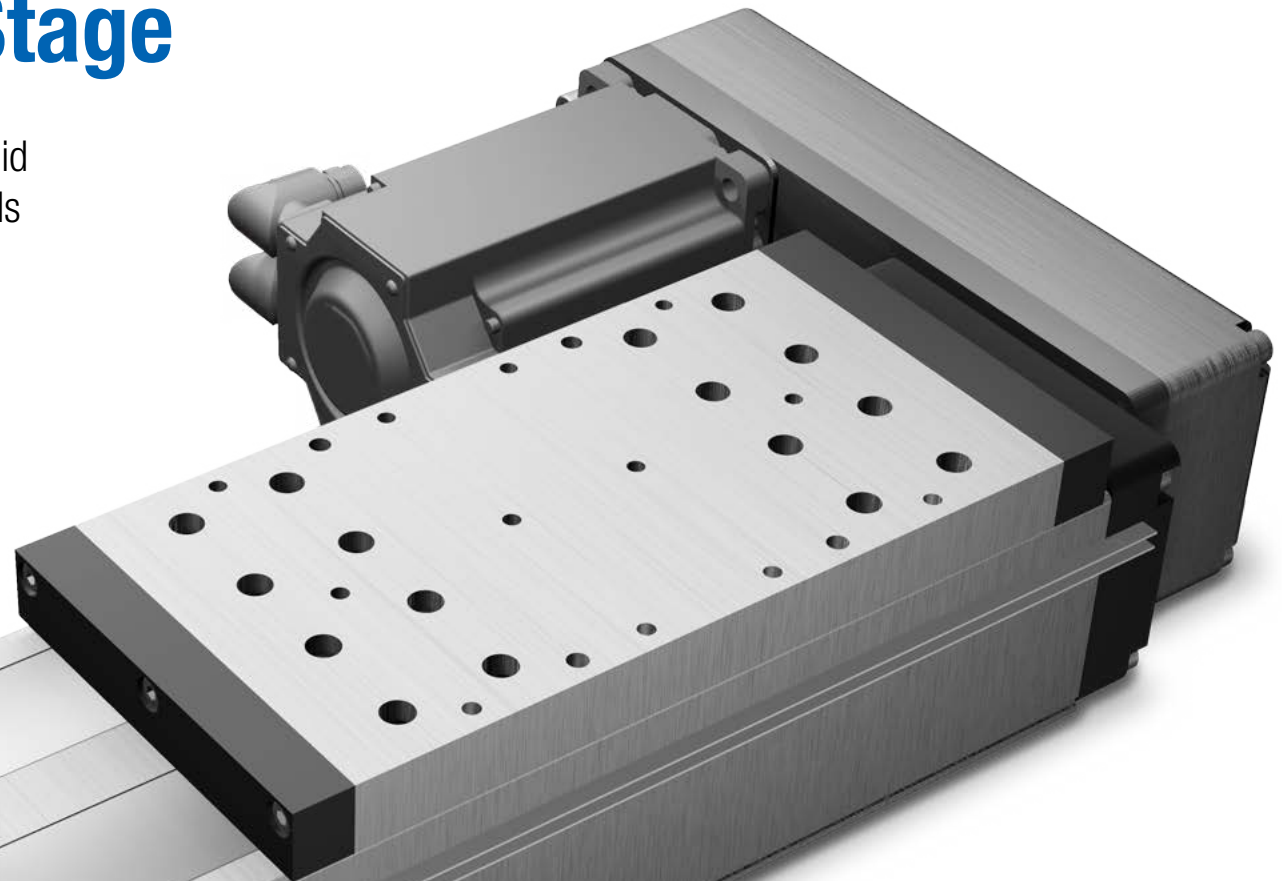


MULTIPLE SCREW TECHNOLOGIES	
ROLLER NUT	BALL NUT
Roller nuts provide the highest thrust and life ratings available	Ball nuts offer efficiency at a cost effective price
SCREW ACCURACY $\pm 0.0102\text{mm}/300\text{mm}; \pm 0.0004\text{"/ft.}$	SCREW ACCURACY $\pm 0.051\text{mm}/300\text{mm}; \pm 0.002\text{"/ft.}$

Cutaway View

TRS Twin Rail Stage

The TRS twin profile rail stage with enclosed design is built to be highly rigid and accurate. Capable of handling loads up to 1,356 lb (615 kg)



BREATHER/PURGE PORTS

Positive pressure with air lines and filters helps reduce contamination of the interior of the actuator



Cutaway View

TolomaticTM
EXCELLENCE *IN MOTION*

TRS Twin Rail Stage

The TRS twin profile rail stage with enclosed design is built to be highly rigid and accurate. Capable of handling loads up to 1,356 lb (615 kg)



IP44 RATED WITH STAINLESS STEEL DUST BANDS

- Perfect for industrial environments
- Limits the amount of contaminants that enter the actuator, which protects components for reduced maintenance and increased uptime

Cutaway View

TolomaticTM
EXCELLENCE *IN MOTION*

TRS Twin Rail Stage

The TRS twin profile rail stage with enclosed design is built to be highly rigid and accurate. Capable of handling loads up to 1,356 lb (615 kg)

CARRIER TO CARRIER MOUNTING

- Build a multi-axis system with reduced components by leveraging this standard mounting option
- Tolomatic representatives are available to assist with selection

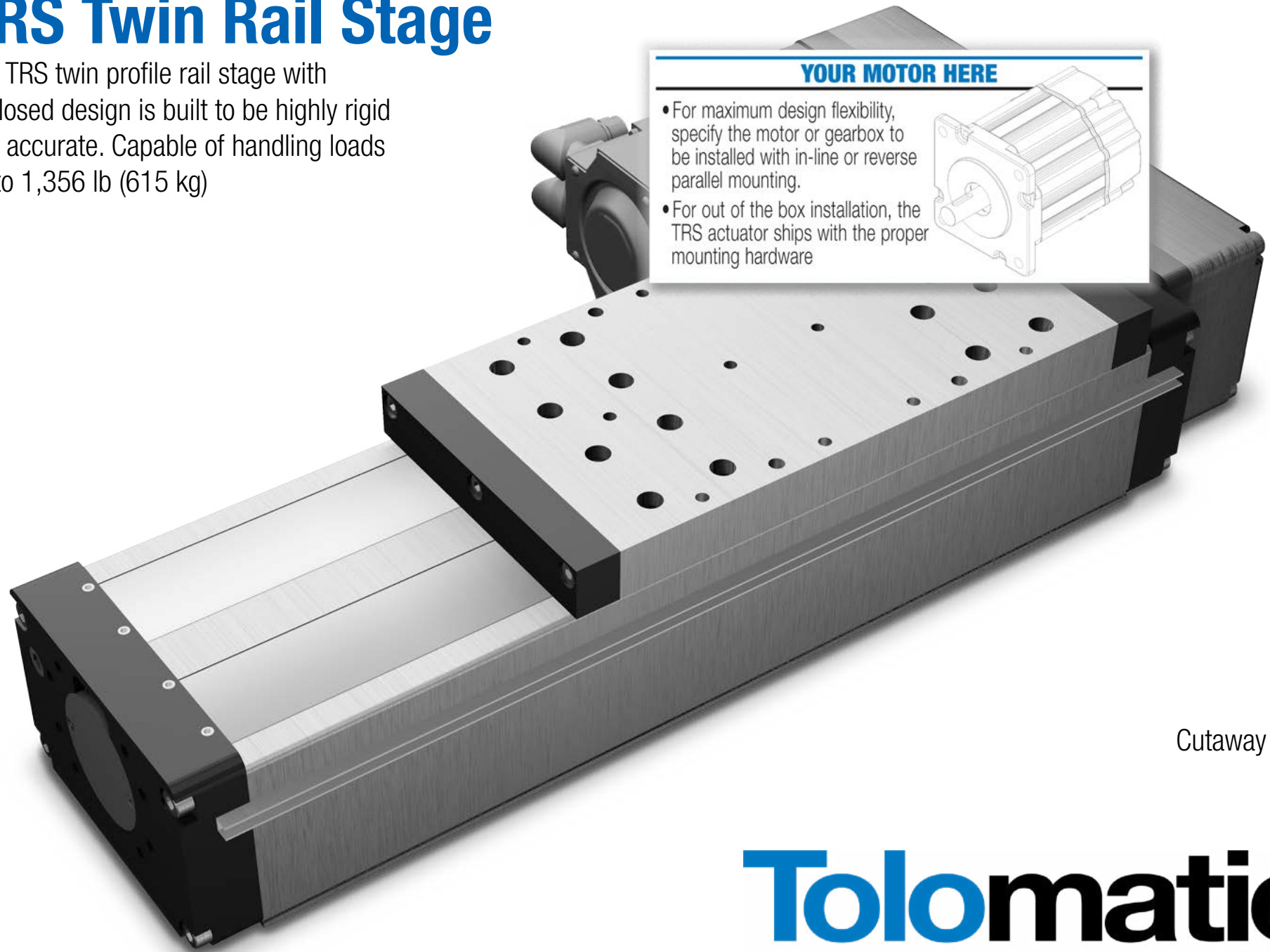


Cutaway View

TolomaticTM
EXCELLENCE *IN MOTION*

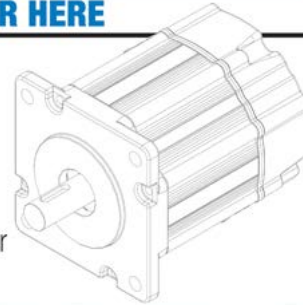
TRS Twin Rail Stage

The TRS twin profile rail stage with enclosed design is built to be highly rigid and accurate. Capable of handling loads up to 1,356 lb (615 kg)



YOUR MOTOR HERE

- For maximum design flexibility, specify the motor or gearbox to be installed with in-line or reverse parallel mounting.
- For out of the box installation, the TRS actuator ships with the proper mounting hardware

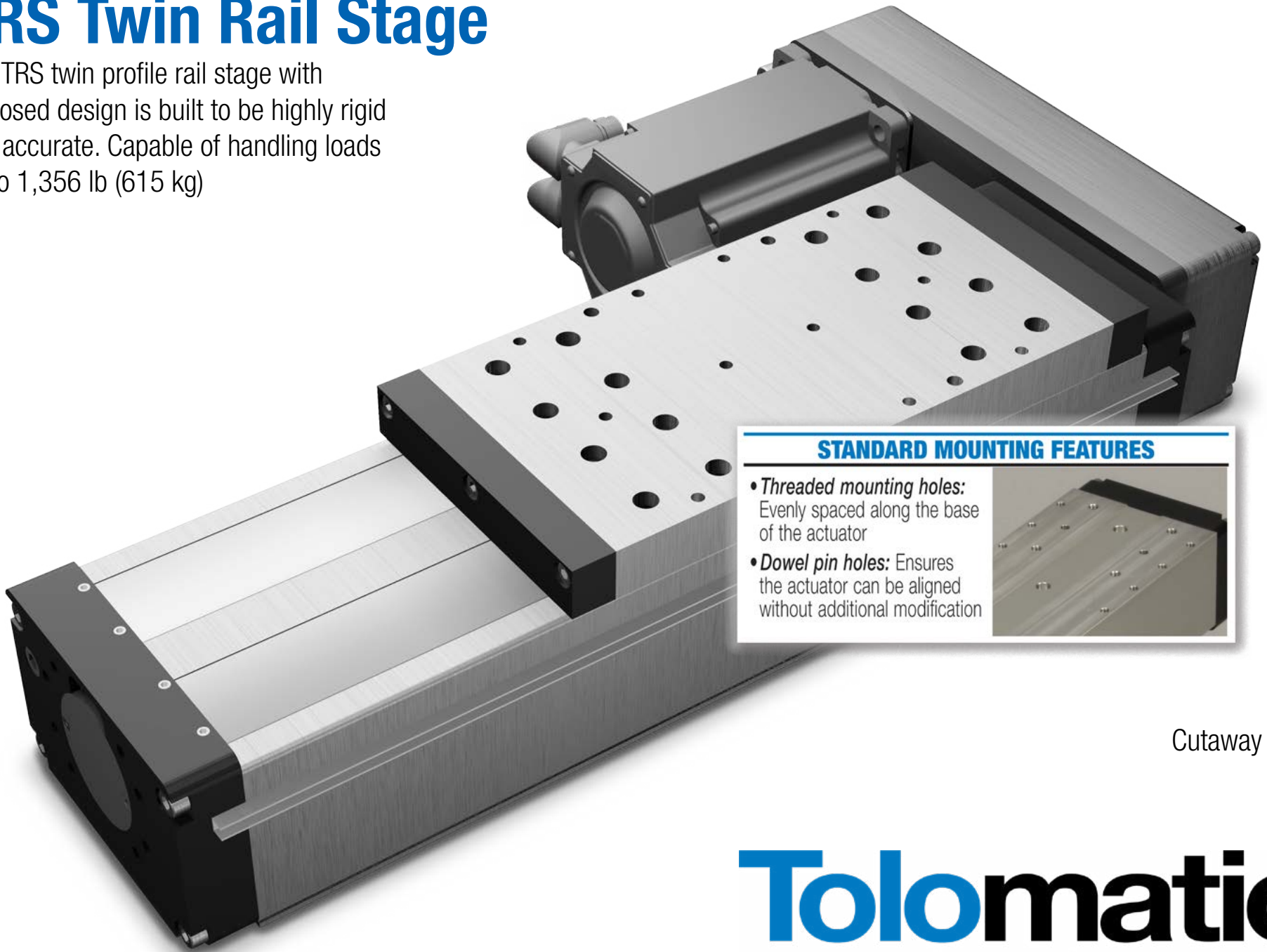


Cutaway View

TolomaticTM
EXCELLENCE *IN MOTION*

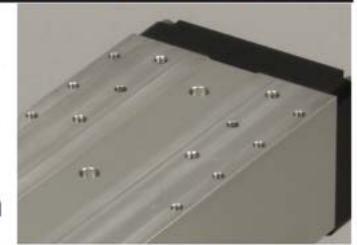
TRS Twin Rail Stage

The TRS twin profile rail stage with enclosed design is built to be highly rigid and accurate. Capable of handling loads up to 1,356 lb (615 kg)



STANDARD MOUNTING FEATURES

- **Threaded mounting holes:** Evenly spaced along the base of the actuator
- **Dowel pin holes:** Ensures the actuator can be aligned without additional modification



Cutaway View

TolomaticTM
EXCELLENCE *IN MOTION*

TRS Twin Rail Stage

The TRS twin profile rail stage with enclosed design is built to be highly rigid and accurate. Capable of handling loads up to 1,356 lb (615 kg)



Cutaway View

OPTIONAL SWITCH WITH RAIL

- 12 switch choices in normally open or closed; with flying leads or quick-disconnect



- Easily adjust the location of switches along the length of the actuator

TolomaticTM
EXCELLENCE *IN MOTION*

TRS Twin Rail Stage

The TRS twin profile rail stage with enclosed design is built to be highly rigid and accurate. Capable of handling loads up to 1,356 lb (615 kg)



OPTIONAL TOE CLAMP MOUNTING

Slot and clamps provide convenient mounting option for fast installation

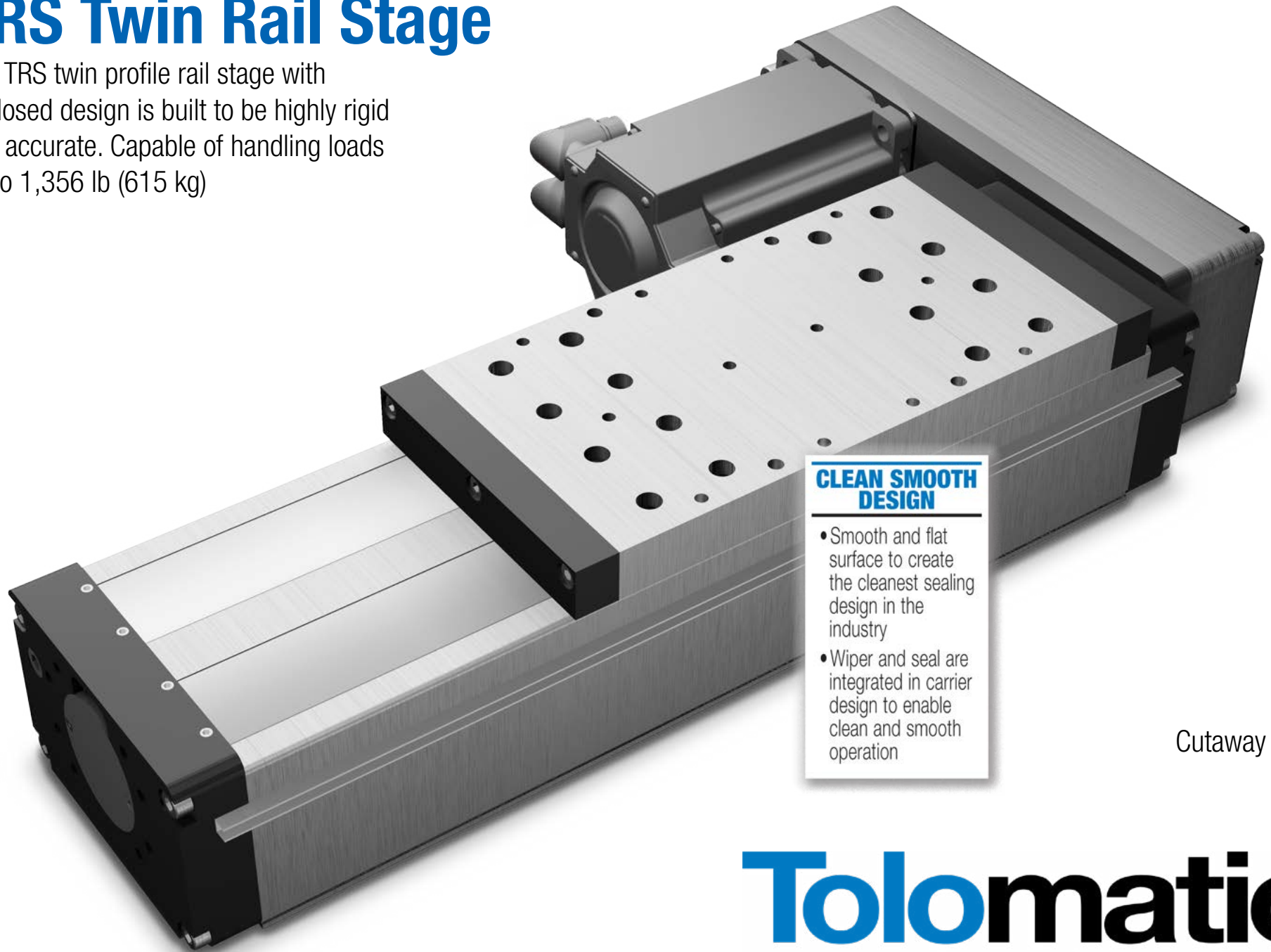


Cutaway View

TolomaticTM
EXCELLENCE *IN MOTION*

TRS Twin Rail Stage

The TRS twin profile rail stage with enclosed design is built to be highly rigid and accurate. Capable of handling loads up to 1,356 lb (615 kg)



CLEAN SMOOTH DESIGN

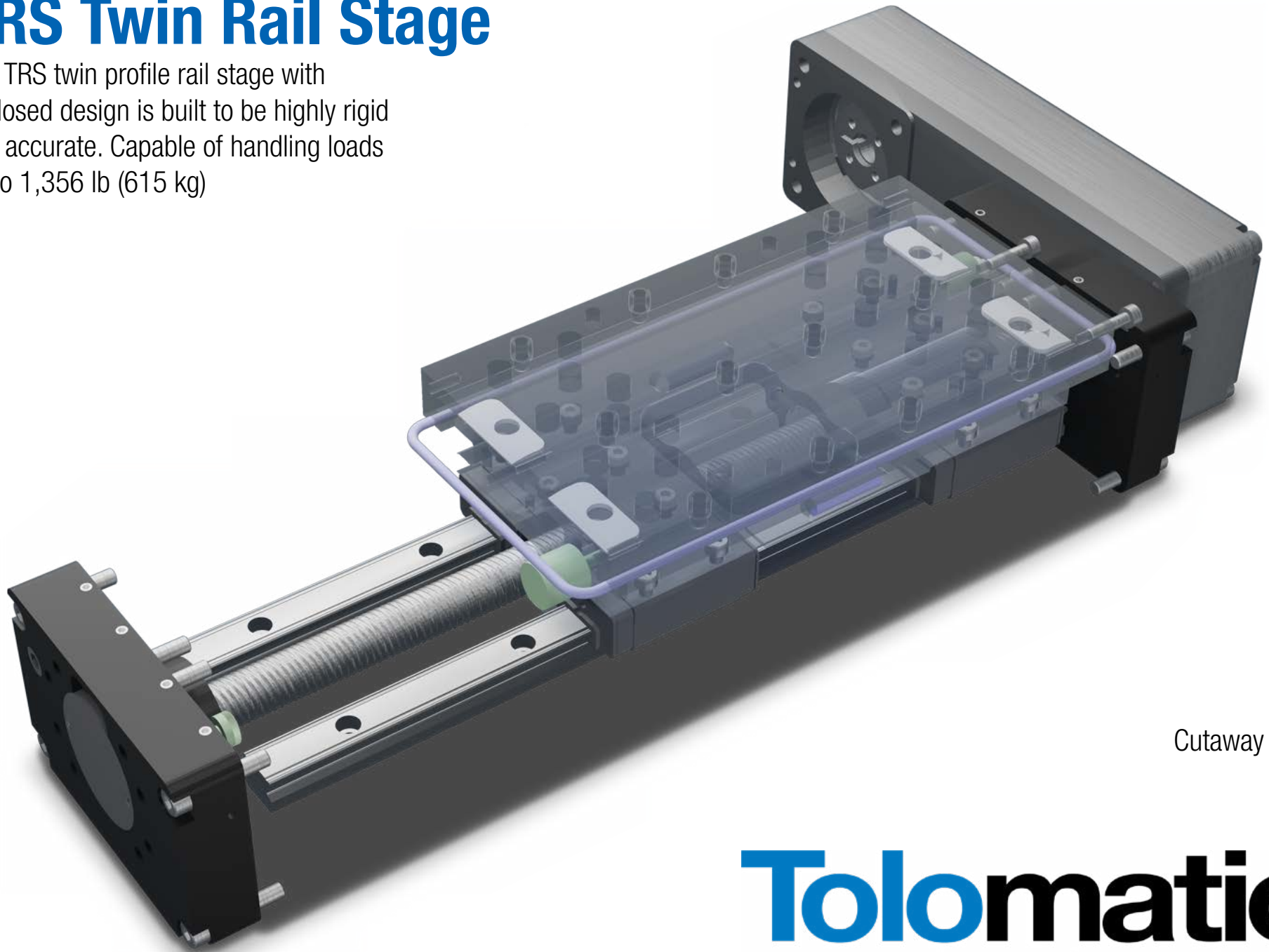
- Smooth and flat surface to create the cleanest sealing design in the industry
- Wiper and seal are integrated in carrier design to enable clean and smooth operation

Cutaway View

TolomaticTM
EXCELLENCE *IN MOTION*

TRS Twin Rail Stage

The TRS twin profile rail stage with enclosed design is built to be highly rigid and accurate. Capable of handling loads up to 1,356 lb (615 kg)



Cutaway View

TolomaticTM
EXCELLENCE *IN MOTION*