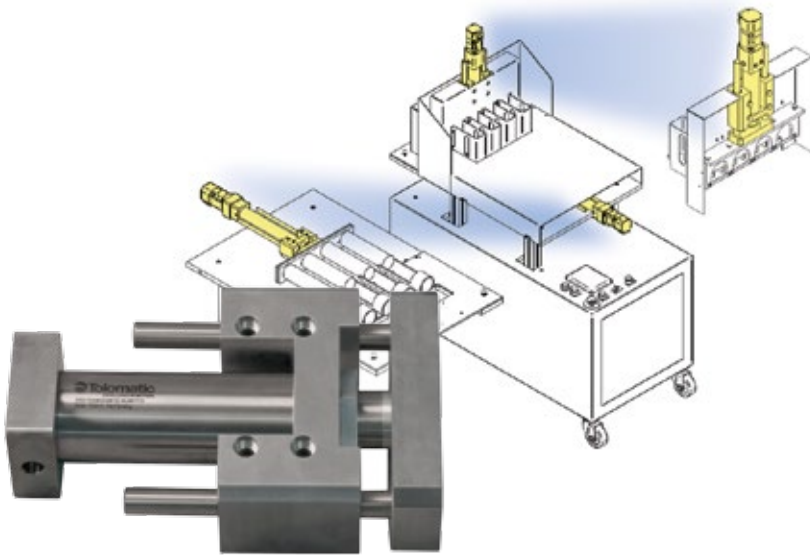


APPLICATION SOLUTION: Cutting, Chopping, Slicing



Product Family: Electric
Product Used: ERD Low-cost Electric Cylinder
Product Type: Standard

Application Requirements:
Stroke: 4 - 12 inches
Speed: 15 in/sec
Load: 75 lb
Orientation: Vertical
Force: 25 lbf

Application Description:

Mobile cutting, chopping, slicing systems that could be utilized for various products around the factory floor.

Challenge:

In the food & beverage industry a producer of sausage/salami rolls, paninos, pancetta, pepper shooters and mortadella required a 2 axis wash-down electric cylinder that could apply the speed and force required to cut, slice and chop various products.

Tolomatic Solution:

ERD20 IP69K low-cost electric cylinder with the Guided Option (GD2) option were chosen for this application. The GD2 option allows the actuator to support some of the application assemblies as well as providing the required force.

Customer Benefit:

- Now have a fully programmable solution
- Flexibility to vary the slice size & cutting force depending on the product being cut
- Mobile all electric device is easy to move to the proper location on factory floor for work access