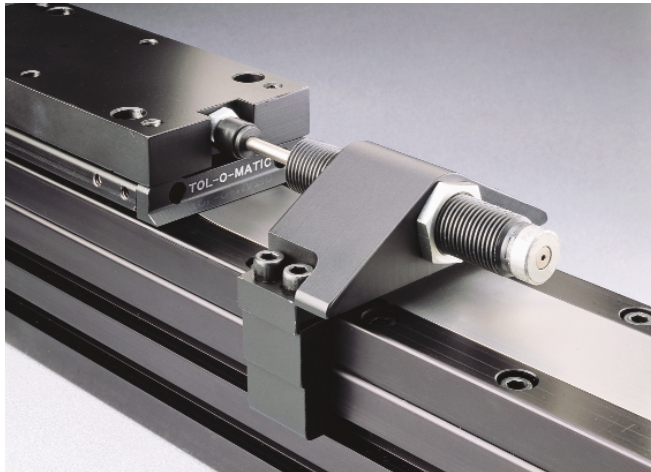


TECHNICAL BULLETIN

Adjustable Shock Option used with BC310 or BC320 Cylinders

9900-9162_00 1/23/02

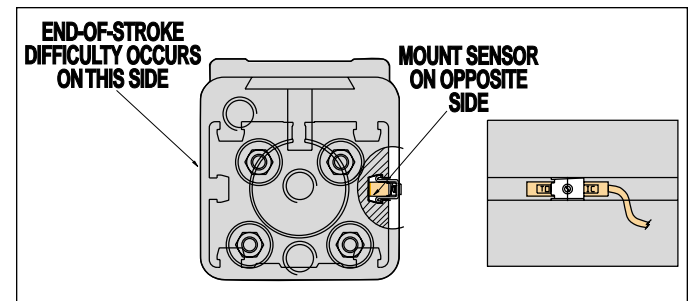


When using the adjustable shock option (AD2, AH2 or AL2) on both ends of either a BC310 or BC320 cylinder, there may be difficulty in the unit's ability to sense the "full end-of-stroke" with magnetic sensors.

On these two sizes of cylinders, the magnet is located "off center" on the piston. This causes the magnetic field used to activate the sensor to be off center as well. When the piston moves to one "full end-of-stroke" location, the magnetic field used to activate the sensor may overlap the shock absorber mounting hardware. This may result in an inability to position the sensor properly at the edge of the magnetic field. This condition will be present at one "full end-of-stroke" location only.

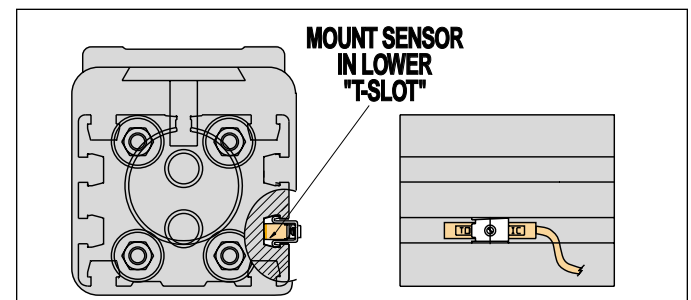
If this condition is encountered, the following solutions should be employed.

BC310 Cylinders



The piston has been fitted with two magnets, each on opposite sides of the piston. Install the sensor in the cylinder "T" slot on the opposing side of the cylinder. The magnet on that side will activate the newly installed sensor and allow "full end-of-stroke" sensing capability.

BC320 Cylinders



Two "T" slots are located on each side of the cylinder extrusion. Installing the sensor in the lower "T" slot, will allow the sensor to be positioned appropriately to accommodate "full end of stroke" sensing.



TOL-O-MATIC, INC.

3800 County Road 116, Hamel, MN 55340

<http://www.tolomatic.com> • Email: Help@Tolomatic.com

Phone: (763) 478-8000 • Fax: (763) 478-8080 • Toll Free: 1-800-328-2174



Information furnished is believed to be accurate and reliable. However, Tol-O-Matic assumes no responsibility for its use or for any errors that may appear in this document. Tol-O-Matic reserves the right to change the design or operation of the equipment described herein and any associated motion products without notice. Information in this document is subject to change without notice.