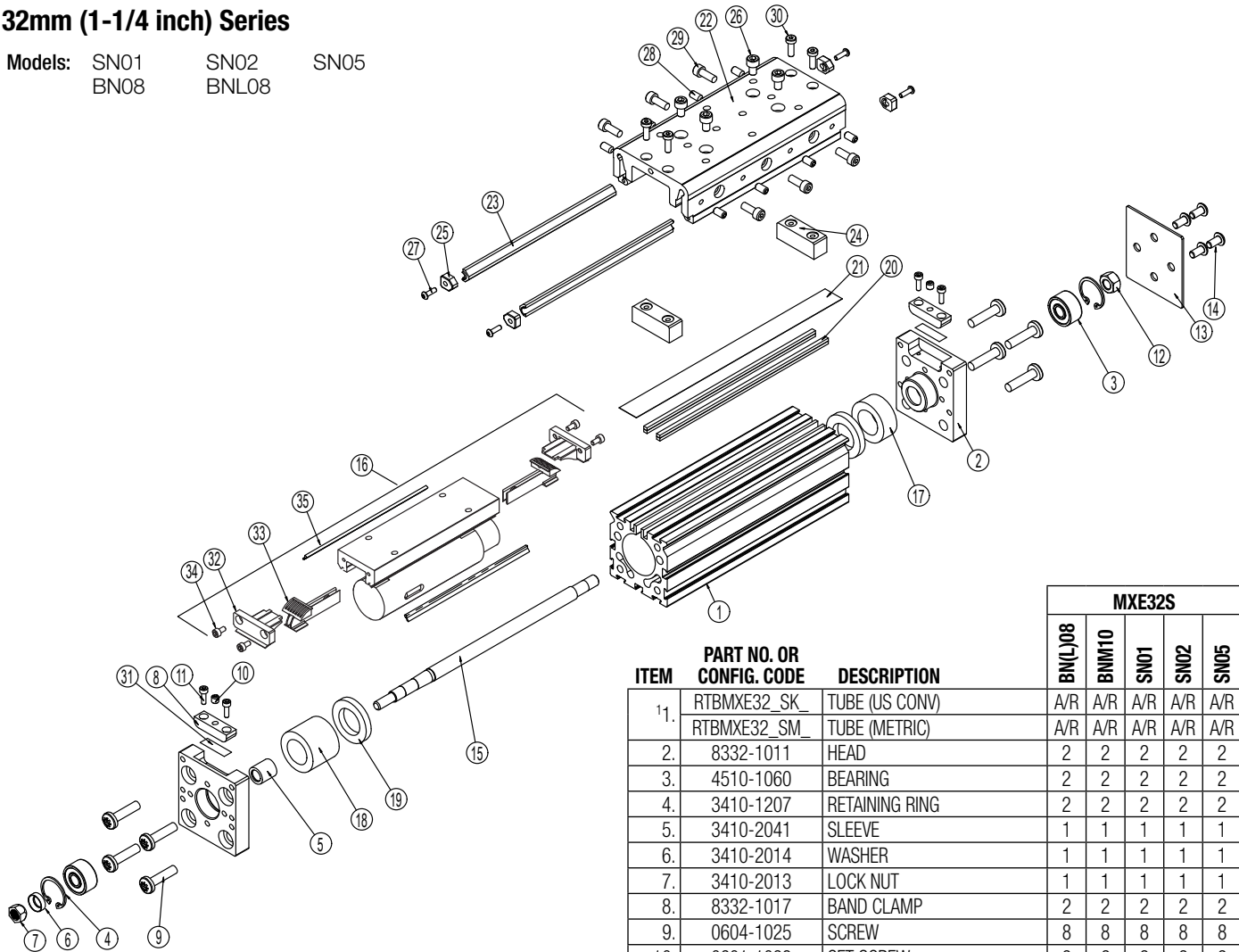


MXE32S Solid Bearing Screw-Drive Actuators

32mm (1-1/4 inch) Series

Models: SN01 SN02 SN05
 BN08 BNL08



³ Replacement solid nut bracket assembly kit available. Contact help@tolomatic.com.

A/R= As Required

		MXE32S				
		BN(L)08	BNM10	SN01	SN02	SN05
ITEM	PART NO. OR CONFIG. CODE	DESCRIPTION				
1.	RTBMXE32_SK_	TUBE (US CONV)	A/R	A/R	A/R	A/R
	RTBMXE32_SM_	TUBE (METRIC)	A/R	A/R	A/R	A/R
2.	8332-1011	HEAD	2	2	2	2
3.	4510-1060	BEARING	2	2	2	2
4.	3410-1207	RETAINING RING	2	2	2	2
5.	3410-2041	SLEEVE	1	1	1	1
6.	3410-2014	WASHER	1	1	1	1
7.	3410-2013	LOCK NUT	1	1	1	1
8.	8332-1017	BAND CLAMP	2	2	2	2
9.	0604-1025	SCREW	8	8	8	8
10.	0601-1093	SET SCREW	2	2	2	2
11.	0602-3012	SCREW	4	4	4	4
12.	0701-1059	LOCK NUT	1	1	1	1
13.	8332-1022	COVER PLATE	1	1	1	1
14.	0110-1424	SCREW	4	4	4	4
² 15.	RLSMXE32_SK_	LEADSCREW (US CONV)	A/R	A/R	A/R	A/R
	RLSMXE32_SM_	LEADSCREW (METRIC)	A/R	A/R	A/R	A/R
³ 16.	8332-9006	NUT BRACKET ASSY, SN01	-	-	1	-
	8332-9007	NUT BRACKET ASSY, SN02	-	-	-	1
	8332-9008	NUT BRACKET ASSY, SN05	-	-	-	1
	8332-9009	NUT BRACKET ASSY, BN08	1	-	-	-
	8332-9033	NUT BRACKET ASSY, BNM10	-	1	-	-

¹ Replacement Tube ordering method: **RT** **B** **MXE32S** **S** **SK** **DC**
EXAMPLE: **RT** **B** **MXE32S** **BN02** **SK** **21-25** **DC7**

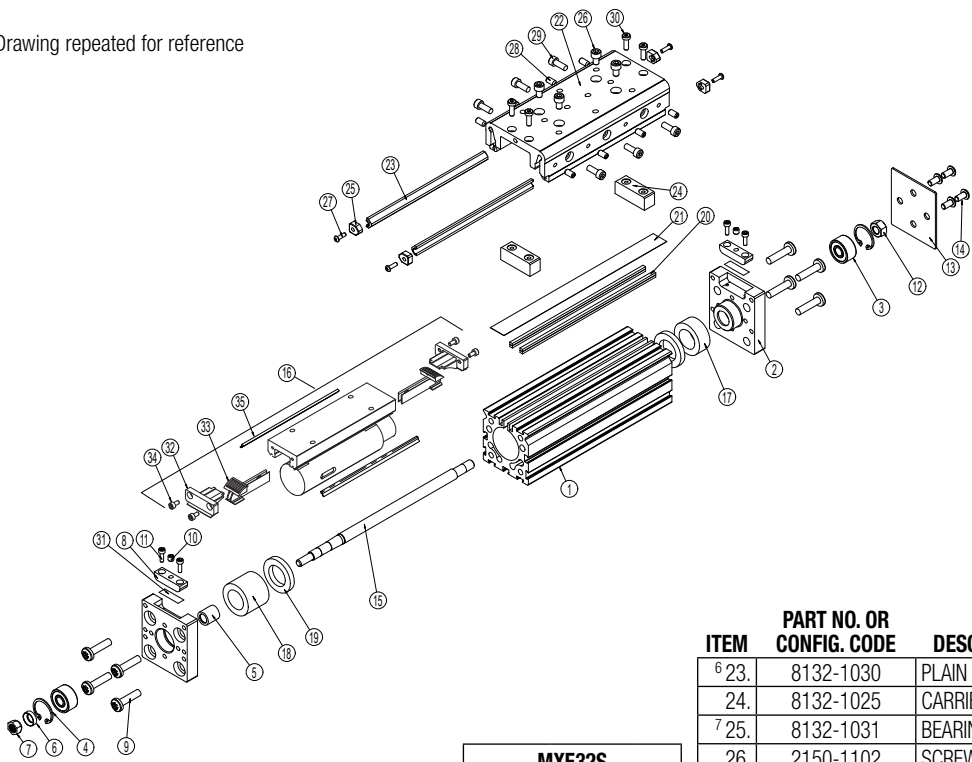
² Replacement Lead Screw ordering method: **RLS** **MXE32S** **S** **SK** **LMI** **YM** **DC**
EXAMPLE: **RLS** **MXE32S** **BN02** **SK** **21-25** **LMI** **YMO** **TBD** **DC7**

Lead Screw Bearing Nut Style & Size Stroke Length Motor Orientation Motor Code Aux. Carrier

Model & Size Bearing Nut Style & Size Stroke Length Motor Orientation Motor Code Aux. Carrier

Auxiliary Carrier Option Note: If replacing a Lead Screw (6.), Tube (9.) or Dust Band (15.) on an actuator that has an Auxiliary Carrier, be sure to add "DC ___" to the end of the configuration string when ordering. "DC" indicates the need for additional length and "___" indicates the measurement of space between carriers (in inches [SK] or millimeters [SM] as indicated earlier in the configuration string).

Drawing repeated for reference



ITEM	PART NO. OR CONFIG. CODE	DESCRIPTION	MXE32S				
			BN(L)08	BNM10	SN01	SN02	SN05
17.	8332-1025	SPACER	1	1	1	1	1
	8332-1026	SOLID NUT SPACER			1	1	1
18.	8332-1024	BALL NUT SPACER	1	1			
19.	8332-1023	BUMPER	2	2	2	2	2
4 20.	NMBMXE32_SK_	MAGNET BAND KIT (US CONV)	4	4	4		4
	NMBMXE32_SM_	MAGNET BAND KIT (METRIC)	4	4	4		4
5 21.	NDBMXE32_SK_	DUST BAND (US CONV)	1	1	1	1	1
	NDBMXE32_SM_	DUST BAND (METRIC)	1	1	1	1	1
22.	8332-1013	CARRIER (METRIC)	1	1	1	1	1
	8332-1513	CARRIER (US CONV)	1	1	1	1	1

ITEM	PART NO. OR CONFIG. CODE	DESCRIPTION	MXE32S				
			BN(L)08	BNM10	SN01	SN02	SN05
⁶ 23.	8132-1030	PLAIN BEARING	2	2	2	2	2
24.	8132-1025	CARRIER SPACER BLOCK	2	2	2	2	2
⁷ 25.	8132-1031	BEARING END CAP	4	4	4	4	4
26.	2150-1102	SCREW	4	4	4	4	4
27.	0603-1036	SCREW	4	4	4	4	4
28.	8132-1073	LOCK (SET) SCREW (METRIC)	8	8	8	8	8
	8132-1570	LOCK (SET) SCREW (US CONV)	8	8	8	8	8
29.	8125-1071	TENSION SCREW (METRIC)	6	6	6	6	6
	0915-1016	TENSION SCREW (US CONV)	6	6	6	6	6
30.	3410-3096	SCREW	4	4	4	4	4
31.	8325-1055	SHIM, .005 THICK	2	2	2	2	2
	8325-1056	SHIM, .010 THICK	2	2	2	2	2
	8325-1057	SHIM, .020 THICK	2	2	2	2	2
^{6,7} 32.	8132-1006	END CAP	2	2	2	2	2
^{6,7} 33.	8332-1007	BAND RAMP	2	2	2	2	2
⁶ 34.	0601-1038	SCREW	4	4	4	4	4
⁷ 35.	8132-1059	WIPER	2	2	2	2	2

⁴ Parts included in Nut Bracket Assembly.

⁵ Parts included in Repair Kits.

A/R= As Required

Magnet Band Kit

⁶ Replacement Magnet Band Kit ordering method: **NMB MXE32 S SK [][][][][][][][] DC [] []**

EXAMPLE: NMB MXE32 S SK 211.25 DC 7

⁷ Replacement Dust Band ordering method: **NDB MXE32 S SK [][][][][][][][] DC [] []**

EXAMPLE: NDB MXE32 S SK 211.25 DC 7

Dust band Model & Size Bearing Stroke Length Aux. Carrier

Auxiliary Carrier Option Note: If replacing a Lead Screw (6.), Tube (9.) or Dust Band (15.) on an actuator that has an Auxiliary Carrier, be sure to add "DC _ _ _" to the end of the configuration string when ordering. "DC" indicates the need for additional length and " _ _ _" indicates the measurement of space between carriers (in inches [SK] or millimeters [SM] as indicated earlier in the configuration string).

Assembly and Disassembly Instructions

GENERAL CYLINDER & DISASSEMBLY INSTRUCTIONS

Begin with a clean work area. Be sure all replacement parts are present and have no visual damage or defects. The following tools are recommended for proper disassembly and assembly.

- SAE Hex Wrench Set
- Metric Hex Wrench Set
- Torx bit set
- Metric Socket Set
- SAE Socket Set

1. DUST BAND AND CARRIER REMOVAL. Remove the Band Clamps (8) from

both Heads (2) of the actuator by removing Screws (11) and backing out the Center Set Screw (10) a couple turns. Carefully lift the Dust Band (21) from the slot in each Head (2) and remove any Shims (31) located under the band in the Head slot. Retain the Shims (31) for reassembly. Remove the Carrier Spacer Blocks (24). Remove Screws (26) from the Carrier (22). Remove End Caps (32) from both ends of the Nut Bracket (16). The Dust Band (21) can now be removed from the actuator. Slightly loosen the Carrier Tension Screws (29) and Lock (Set) Screws (28). Remove Bearing End Caps (25) from the Bearings (23) and slide the Bearings (23) out. The Carrier (22) can now be removed.

NOTE: If the stroke of the actuator is too short to allow removal of the Carrier Bearings (23), it is necessary to remove the Non-Drive End Head (2) from the Tube (1).

2. LEADSCREW SUB-ASSY REMOVAL. On the Non-Drive End of the actuator, remove Screws (14) to remove the Cover Plate (13), and Hex Nut (12) from the Leadscrew (15). Remove Screws (9) from both Heads (2). Remove the Non-Drive End Head (2) and the Drive Head/Leadscrew Assembly. The Nut Bracket Assembly (16) can now be removed from the Leadscrew (15) if necessary and the Band Ramps (33) may also be removed from the Nut Bracket Assembly (16) if required.

Ball Nut style: Caution is required if removal of the Nut is necessary. Contact the factory for available parts and procedures.

Plastic Nut style: Plastic Nuts are factory pinned into the Nut Bracket (16) and cannot be removed. If Nuts are worn, a new Nut Bracket Assy (16) must be ordered.

If the Drive End Head (2) and Bearing (3) must be removed from the Leadscrew (15), contact the factory prior to removal for specific instructions.

GENERAL CYLINDER ASSEMBLY INSTRUCTIONS

1. SUB-ASSEMBLE CARRIER. Slide the Bearings (23) into the slots on the Carrier (22) and install Bearing End Caps (25) loosely onto the Bearing Ends with Screws (27). Keep the Tension Screws (29) and Lock (Set) Screws (28) loose. If removed, install the Band Ramps (20) to the Nut Bracket (16).

2. INSTALL LEADSCREW ASSEMBLY.

Install the Drive Head/Leadscrew assembly into the Tube (1). Ensure that the Bumper (19) and Nut Spacer (18) are in place and position the Non-Drive End Head (2) over the Leadscrew Bearing (3) and loosely install Screws (9) into the Head (2). Install the Drive End Screws (9) loosely into the Head (2).

3. INSTALL DUST BAND AND CARRIER. Install the Dust Band (21) through the Nut Bracket (16) and install End Caps (21) onto the Nut Bracket (16). Position Carrier sub-assembly onto the Tube (1).

4. Tension the Carrier. The MX solid bearing carrier will provide best performance when properly adjusted. The carrier design contains both Tension (29) and Lock Screws (28). The Tension Screws (29) control the amount of pressure placed on the Carrier Bearings (23). The Lock Screws (28) lock the Tension Screws (29) in place and provide fine adjustment of the Carrier Bearings (23).

- a. Fully loosen all Tension (29) and Lock Screws (28) about 1/2 of a turn so that they are not engaged with the Bearing (23).
- b. Tighten Tension Screws (29) on both sides of the Carrier (22) roughly 1/8 to 1/4 turn clockwise past where the Screw (29) starts to feel snug. The Carrier (22) should be very difficult or impossible to move by

hand. If not, turn another 1/8 turn until it is difficult to move.

- c. Next, adjust the Lock Screws (28) on both sides of the Carrier (22) roughly 1/8 to 1/4 turn clockwise past where the Screw (28) starts to engage. The Carrier (22) will be loose but should not rock sideways. To correct this, loosen the Lock Screws (28) about 1/16 of a turn. If the Carrier (22) becomes too snug, adjust the Lock Screws (28) another 1/8 of a turn.

- d. Ideal carrier tension is achieved when the Carrier (22) feels snug in relation to the Tube (1), yet can be moved by hand. No rocking motion should be present. The Carrier (22) should also be loose enough to be moved by hand over the entire length of the actuator. If after this process the Carrier (22) has become too loose, equally adjust all of the Lock Screws (28) with a slight 1/32 turn counter-clockwise. During the service life of the application this process may need to be repeated. Keeping the Carrier (22) in a properly adjusted tension will prolong the life of the MX bearing system and the actuator itself.

- e. When the proper carrier tension has been achieved, finish tightening the four Screws (34) to the Bearing End Caps (32).

- f. Position the Carrier (22) over the Nut Bracket (16) and install Screws (26). Install the Carrier Spacer Blocks (24) to the Carrier (22).

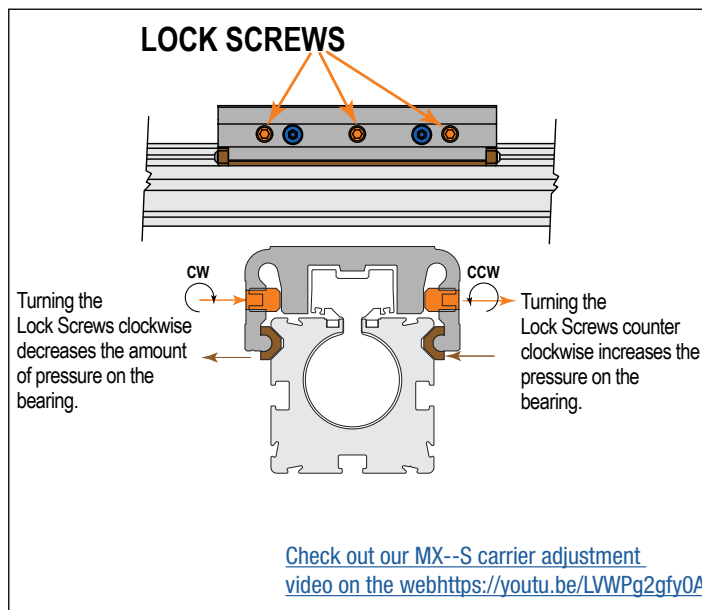
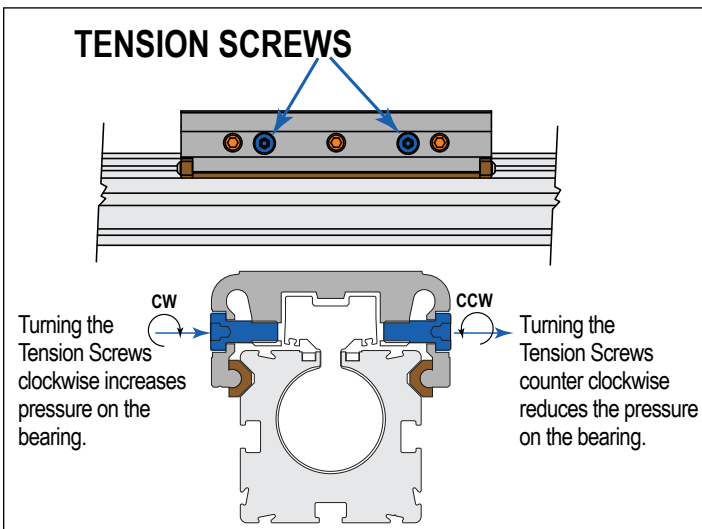
5. PERFORM HEAD ALIGNMENT AND FINAL ASSEMBLY.

NOTE: Custom tooling is used at the factory to align the Heads (2) to the Tube (1) to maintain parallelism between the top of the Head (2) and top of

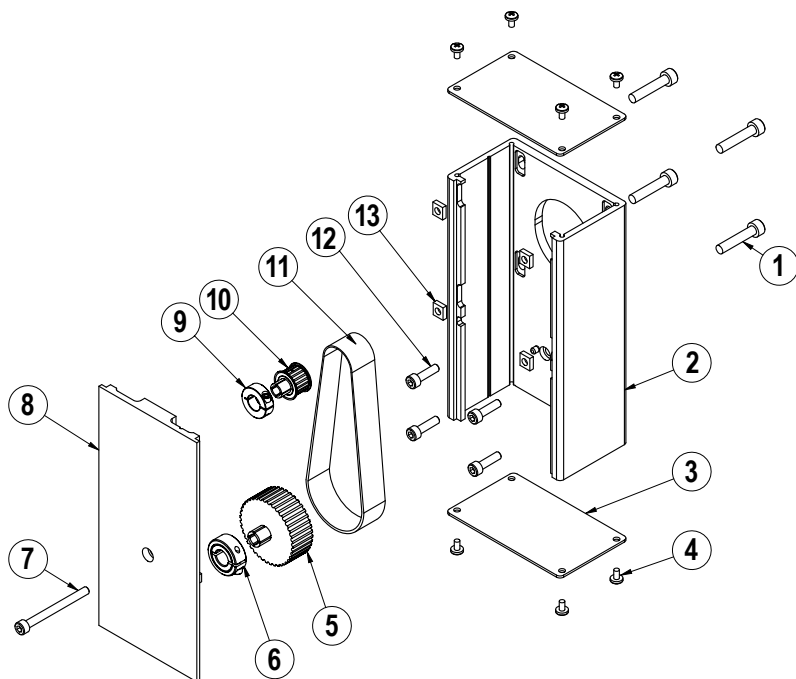
the Tube (1). This is critical to performance and longevity of the Dust Band (21). In the following steps take care to visually align Head (2) to Tube (1).

Move the assembled Carrier (22) to the Drive End of Tube (1) and tighten one of the Head Bolts (9). Support the actuator so the Head (2) is free to float while tightening the Screws (9). Move the Carrier Assy (22) to Non-Drive End of Tube (1) and tighten the Head Bolts (9). Move Carrier Assy (22) back to the Drive End of Tube (1) and loosen the Screw (9) that was previously tightened and then tighten all Head Fasteners (9). Apply Loctite 242 to Hex Nut (12) and thread onto the Leadscrew (15) and torque to 6-8 in-lbs. Install Cover Plate (13) with Screws (14).

6. INSTALL BAND CLAMPS. The Dust Band (21), Tube (1) and clamping surface of the Head (2) must be flush with each other. To accommodate this, it may be necessary to re-install any Shims (31) that were present during disassembly into the clamp pocket on the Head (2). Position the Carrier (22) near the Drive End and position the Band (21) in the pocket over the installed Shims (31) and install the Band Clamp (8) with the two Screws (11). Tighten down the Center Set Screw (10). Position the Carrier (22) near the Non-Drive End and repeat the steps to install the other Band Clamp (8).



Reverse Parallel (RP) Mounting Option



ITEM	PART NO.	DESCRIPTION	QTY.
◊1.	CONFIGURED	MOTOR FASTENER	4
◊2.	CONFIGURED	RP HOUSING	1
◊3.	CONFIGURED	RP HOUSING END CAP	2
◊4.	CONFIGURED	END CAP SCREW	8
◊5.	CONFIGURED	DRIVE SHAFT PULLEY	1
◊6.	CONFIGURED	COLLAR CLAMP, DRIVE SHAFT	1
◊7.	CONFIGURED	RP COVER FASTENER	1
◊8.	CONFIGURED	RP COVER	1
◊9.	CONFIGURED	COLLAR CLAMP, MOTOR	1
◊10.	CONFIGURED	MOTOR PULLEY	1
◊11.	CONFIGURED	BELT	1
◊12.	CONFIGURED	RP PLATE FASTENER	4
◊13.	CONFIGURED	SQUARE NUT	4

◊ Part numbers varies depending on YMH (Your Motor Here). Contact help@tolomatic.com for replacement part numbers.

Disassembly Instructions

1. Remove End Caps (3), and release the tension on the Belt (11) by breaking loose the motor fasteners (1).
2. Remove the RP Cover (8).
3. The Belt (11) can now be removed along with the Motor.
4. Remove both Pulleys (10) and (5) from their respective shafts.
5. Remove the RP Housing (2) from the actuator head by removing the Fasteners (12).

Assembly Instructions

Note: Apply Loctite #242 to all fasteners upon installation

1. Install RP Housing (2) onto the actuator Head with Fasteners (12).
Note: If the RP housing has a bearing in it do not fully tighten the fasteners at this time. Instead temporarily install the RP cover (8) onto the RP case, positioning the bearing over the leadscrew shaft. Hold the cover in place while tightening all the Fasteners (12) so that the case is snug. Then remove the RP cover and finish tightening the fasteners
2. Install the Motor to the RP Housing with Fasteners (1) and Square Nuts (13). Do not tighten the fasteners at this time.
3. Locate the Belt (11) over the Pulleys (10) and (5) and slide both pulleys over their respective shafts. Tighten each pulley to its shaft with the Collar Clamps (9) and (6).

4. Tension the Belt (11) by pulling the motor away from the drive shaft with the appropriate tension force shown in the chart below. While tensioning, the actuator should be positioned so the weight of the motor does not affect the belt tension. Tighten the Motor Fasteners (1) while the tensioning force is applied to the motor.

SMALLEST SHAFT DIAMETER (Motor or Actuator)		TOTAL WEIGHT TO APPLY	
Inches	mm	lbs	kgs
0.18 to 0.259	4.572 to 6.579	13	5.902
0.260 to 0.499	6.604 to 12.675	22	9.988
0.500 to 0.625	12.7 to 15.875	31	14.074
0.625 and larger	15.875 and larger	40	18.160

Additional tips are found in Tolomatic [Electric Actuator Motor Mounts Technical Note # 3600-4203](#).

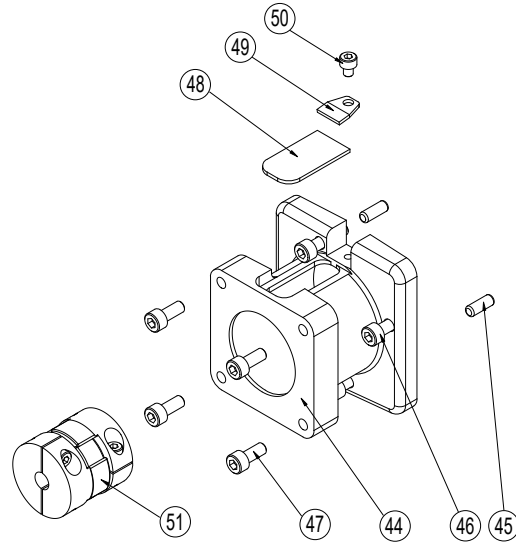
5. Verify that there is clearance between the inside of the RP case and each pulley. Verify the pulleys are aligned to each other.
6. Position the Cover (8) in the mating slot of the RP case and install the Fasteners (7) to hold it in place. Take care not to overtighten. If the cover is deflected, it can interfere with the leadscrew.
7. Install both End Caps (3) with the Screws (4) to finalize the assembly.

In-Line (LMI) Mounting Options

ITEM	PART NO.	DESCRIPTION	QTY
◊44.	CONFIGURED	MOTOR SPACER	1
◊45.	CONFIGURED	DOWEL PIN	2
◊46.	CONFIGURED	SCREW	4
◊47.	CONFIGURED	SCREW	4
◊48.	CONFIGURED	COVER	1
◊49.	CONFIGURED	CLAMP	1
◊50.	CONFIGURED	SCREW	1
◊51.	CONFIGURED	COUPLER	1

◊ Part number varies depending on YMH (Your Motor Here).
 Contact help@tolomatic.com for replacement part number.

A replacement Motor Mount Kit contains all parts listed above.

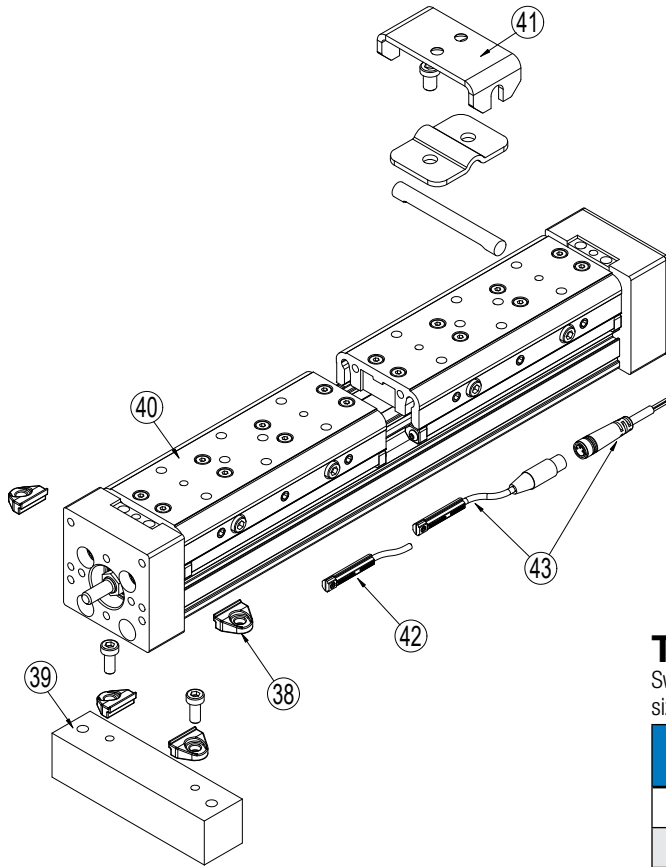


Replacement Motor Mount Kits ordering method: **MMK MXE32S** **LMI YM**

EXAMPLE: MMK MXE32S SN02 LMI YM 011001

Motor Mount Kit ——— Model & Size ——— Bearing Style ——— Lead Screw ——— Motor Orientation ——— Motor Code

Actuator Options Parts



ITEM	PART NO.	DESCRIPTION
138.	8132-9018	TUBE CLAMP MOUNT KIT (CONTAINS 2)
	8132-1050	TUBE CLAMP
239.	8332-9016	MOUNTING PLATE KIT FOR 23-FRAME MOTOR
	8332-9017	MOUNTING PLATE KIT FOR 34-FRAME MOTOR
	8132-1050	TUBE CLAMP
	2212-1031	SCREW (METRIC)
	8332-1030	MOUNTING PLATE FOR 23-FRAME MOTOR
	8332-1031	MOUNTING PLATE FOR 34-FRAME MOTOR
	40.	8332-9015
	8332-9515	AUXILIARY CARRIER ASSY (INCH)
	341.	8132-9036
8132-9536		FLOATING MOUNT KIT (INCH)
	8132-1069	FLOATING MOUNT PIN
	0912-1031	FLOATING MOUNT CLAMP
	8132-1561	FLOATING MOUNT BRACKET CLAMP (INCH)
	8132-1068	FLOATING MOUNT BRACKET
	8132-1074	SCREW (METRIC)
	0920-1084	SCREW (INCH)

1 Tube Clip Kit contains 2 tube clamps.

2 Mounting Plate Kit contains 2 tube clamps, 2 fasteners and 1 mounting plate.

3 Floating Mount Kit contains 1 pin, 1 bracket clamp, 1 bracket, and 2 fasteners.

To order service parts switches:

Switches for MXE include retained mounting hardware and are the same for all actuator sizes and bearing styles

ITEM	CONFIG. CODE	LEAD	NOR-MALLY	SENSOR TYPE
42.	SWMXE32S R Y	5M (197 IN)	OPEN	REED
43.	SWMXE32S R K	QUICK-DISCONNECT		
42.	SWMXE32S N Y	5M (197 IN)	CLOSED	REED
43.	SWMXE32S N K	QUICK-DISCONNECT		
42.	SWMXE32S T Y	5M (197 IN)	OPEN	SOLID STATE PNP
43.	SWMXE32S T K	QUICK-DISCONNECT		
42.	SWMXE32S K Y	5M (197 IN)	OPEN	SOLID STATE NPN
43.	SWMXE32S K K	QUICK-DISCONNECT		
42.	SWMXE32S P Y	5M (197 IN)	CLOSED	SOLID STATE PNP
43.	SWMXE32S P K	QUICK-DISCONNECT		
42.	SWMXE32S H Y	5M (197 IN)	CLOSED	SOLID STATE NPN
43.	SWMXE32S H K	QUICK-DISCONNECT		

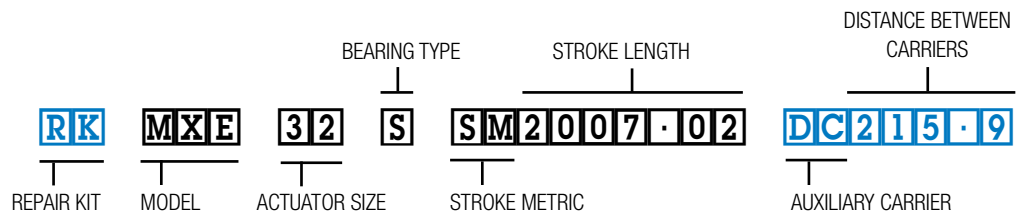
MATING QD CABLE IS INCLUDED.

Ordering Repair Kits

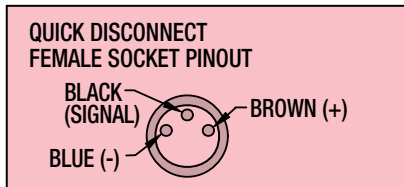
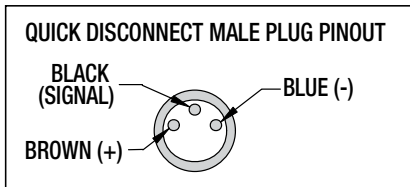
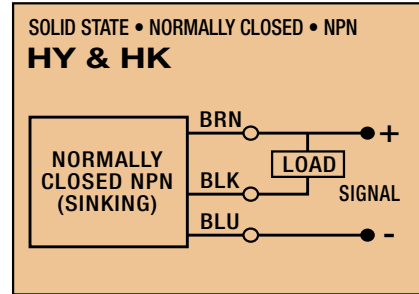
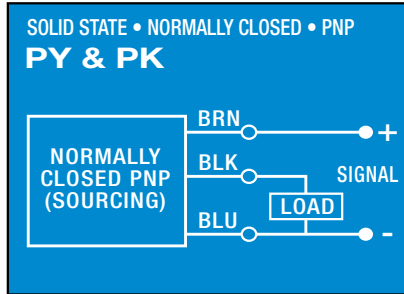
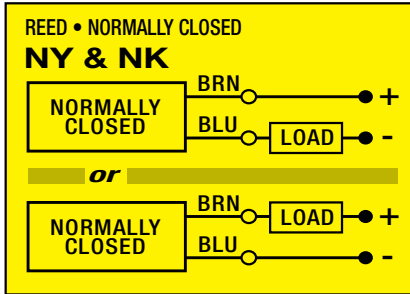
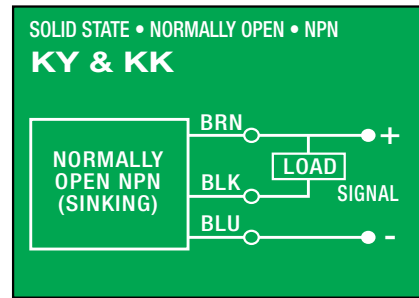
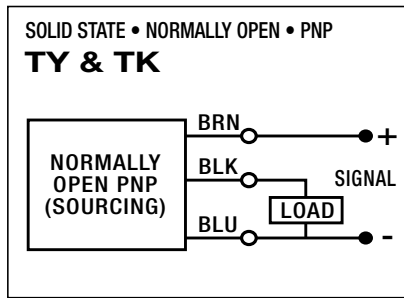
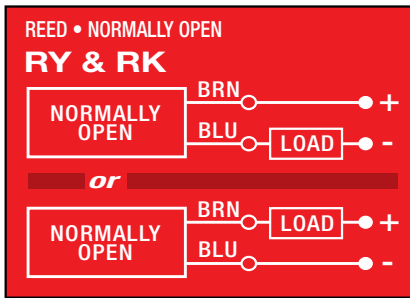
Repair kit includes: dust band, end caps, wipers, solid bearings, bearing end caps

The part number for a repair kit begins with RK followed by model, actuator size, bearing type, and stroke length (**S****K** = inch/US Standard, **S****M** = metric)

(NOTE: If unit has an auxiliary carrier also include DC and distance between carrier centers)



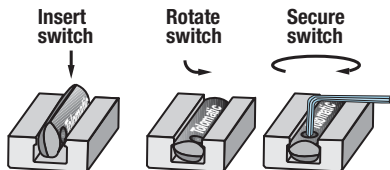
SWITCH WIRING DIAGRAMS AND LABEL COLOR CODING (CE and RoHS Compliant)



Switches for MX:

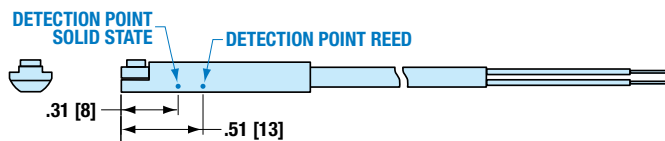
- Include retained mounting hardware
- In slot, sit below extrusion profile
- Same for all sizes and bearing styles

Switch installation and replacement



Place switch in side groove on tube at desired location with "Tolomatic" facing outward. While applying light pressure to the switch, rotate it such that the switch is halfway in the groove. Maintaining light pressure, rotate the switch in the opposite direction until the switch is fully inside the groove with "Tolomatic" visible. Re-position the switch to the exact location and lock the switch securely into place by tightening the screw on the switch.

Switch Detection point



Dimensions in inches [brackets indicate dimensions in millimeters]



3800 County Road 116, Hamel, MN 55340 USA
<http://www.Tolomatic.com> • Email: Help@Tolomatic.com
 Phone: (763) 478-8000 • Fax: (763) 478-8080 • Toll Free: 1-800-328-2174

COMPANY WITH
 QUALITY SYSTEM
 CERTIFIED BY DNV
 = ISO 9001 =

All brand and product names are trademarks or registered trademarks of their respective owners. Information in this document is believed accurate at time of printing. However, Tolomatic assumes no responsibility for its use or for any errors that may appear in this document. Tolomatic reserves the right to change the design or operation of the equipment described herein and any associated motion products without notice. Information in this document is subject to change without notice.