

Conversion from BC415 to MXP40N

Bore Size:

The bore size of the BC415 is 1.5" [38 mm].
The bore size of the MXP40N is 1.5" [38 mm].

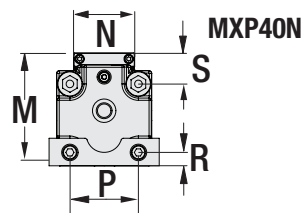
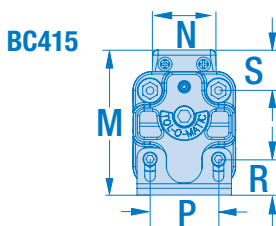
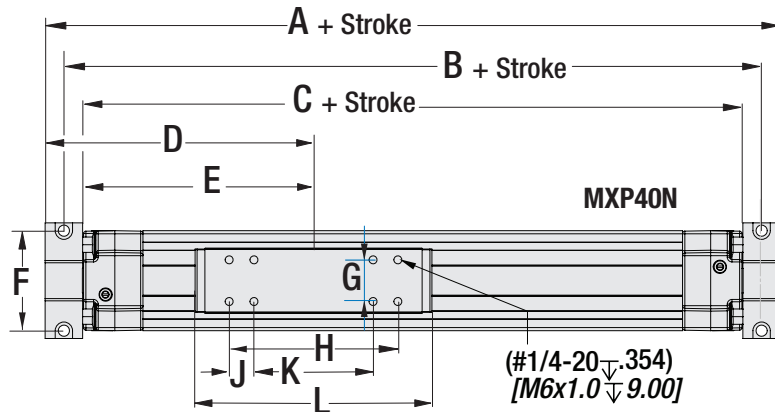
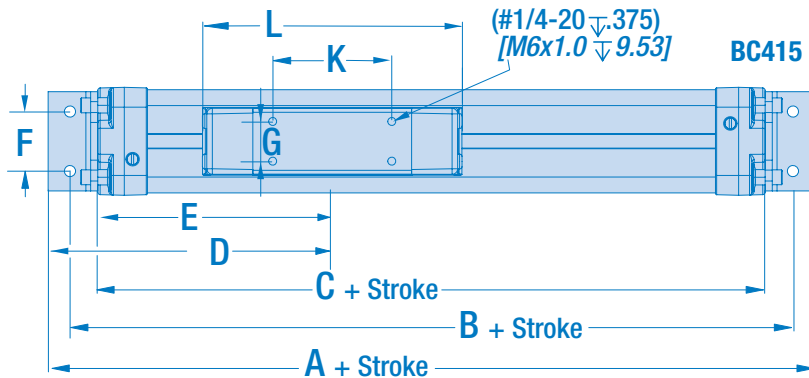
Envelope Size:

With foot mounts, the overall length, height and width of the BC415 is slightly larger than the MXP40N of equal stroke length.

Dead Length:

Dead length is the part of the band cylinder required for mounting and mechanisms. The overall length of a band cylinder is the stroke length plus the dead length ("C" dimension in the table).

The BC415 dead length is 11.810" [299.97 mm] compared to the MXP40N at 11.633" [295.47 mm].



Dimensions in inches

Dimensions in millimeters

	BC415	MXP40N
A	14.313	13.522
B	13.213	12.578
C	11.810	11.633
D	6.927	6.761
E	5.675	5.816
F	1.500	2.520
G	1.000	1.050
H	-	4.250
J	-	0.808
K	3.000	3.000
L	6.320	5.866
M	3.838	2.984
N	1.705	1.614
P	1.812	1.812
R	0.952	0.354
S	1.074	0.818

	BC415	MXP40N
A	363.56	343.47
B	335.62	319.47
C	299.97	295.47
D	175.94	171.73
E	144.15	147.73
F	38.10	64.00
G	25.40	26.67
H	-	107.95
J	-	20.53
K	76.20	76.20
L	160.52	149.00
M	97.43	75.80
N	43.31	41.00
P	46.02	46.02
R	24.18	8.99
S	27.28	20.79

MOUNTING

MOUNTING VIA HEAD BOLTS:

Bolt pattern "P" on the BC415 is 1.812" [46.02mm] square.
Bolt pattern "P" on the MXP40N is 1.812" [46.02mm] square.

CARRIER RELATION TO HEAD BOLT MOUNTING:

- Distance from the top of the carrier to the center of the top mounting bolts "S" is decreased by 0.256" [6.50mm].

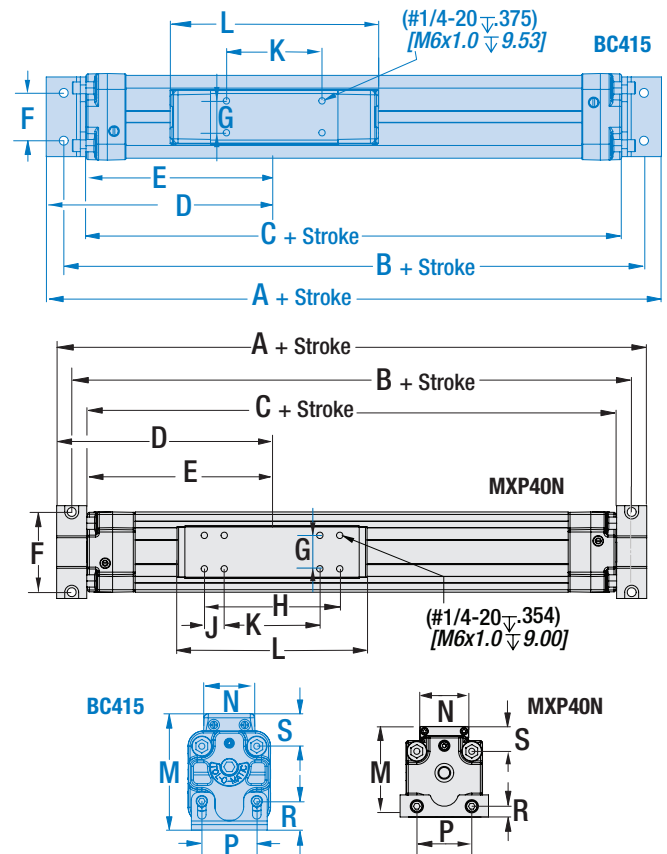
MOUNTING VIA FOOT MOUNTS:

- When mounting the BC415 with foot mounts the distance between the mounting brackets "B" is reduced by 0.635" [16.129mm] when using the MXP40N.
- Height of the carrier relative to the bottom of the foot mounts "M" is reduced by 0.854" [21.69mm].

CARRIER:

- Carrier bolt pattern "G" & "K" of the BC415 is not replicated on the MXP40N.
- Carrier length "L" decreases by 0.454" [11.53mm].
- Distance from the center of the carrier to the back edge of the head "E" increased by 0.141" [3.58mm].
- Additional mounting holes "H" are available on the MXP40N.

Drawing repeated for reference



ORDERING

SAMPLE CROSSOVER CONFIGURATION:

DISCONTINUED

BC415 NP SK5.000 FM2

Config. String: BC415 NP SK5.000 FM2

Bore Size: 1.5" [38mm]

Unit of measure: SK (inches)

Stroke length 5.000 in

FM: Foot mount for actuator mounting,

Quantity: 2

NEW

MXP40N NP SK5.000 FM2

Config. String: MXP40N NP SK5.000 FM2

Bore Size: 1.5" [38mm]

Unit of measure: SK (inches)

Stroke length 5.000 in

FM: Foot mount for actuator mounting,

Quantity: 2

Tolomatic[™]
EXCELLENCE IN MOTION

3800 County Road 116, Hamel, MN 55340 USA
http://www.Tolomatic.com • Email: Help@Tolomatic.com
Phone: (763) 478-8000 • Fax: (763) 478-8080 • Toll Free: 1-800-328-2174

COMPANY WITH
QUALITY SYSTEM
CERTIFIED BY DNV GL
= ISO 9001 =

All brand and product names are trademarks or registered trademarks of their respective owners. Information in this document is believed accurate at time of printing. However, Tolomatic assumes no responsibility for its use or for any errors that may appear in this document. Tolomatic reserves the right to change the design or operation of the equipment described herein and any associated motion products without notice. Information in this document is subject to change without notice.