

### Conversion from BC406 to MXP16N

#### Bore Size:

The bore size of the BC406 is .625" [16 mm].  
The bore size of the MXP16N is .625" [16 mm].

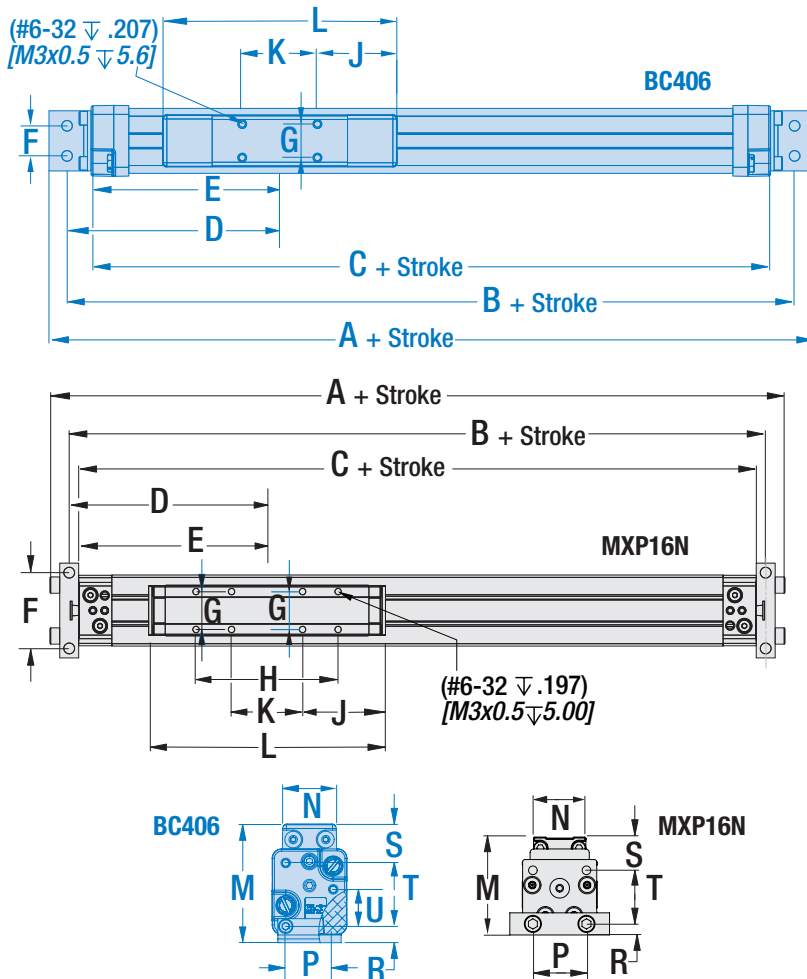
#### Envelope Size:

With foot mounts, the overall length, height and width of the BC406 is slightly larger than the MXP16N of equal stroke length.

#### Dead Length:

Dead length is the part of the band cylinder required for mounting and mechanisms. The overall length of a band cylinder is the stroke length plus the dead length ("C" dimension in the table).

The BC406 dead length is 6.296" [159.92 mm] compared to the MXP16N at 6.264" [159.10 mm].



Dimensions in inches

Dimensions in millimeters

	BC406	MXP16N
A	7.696	7.222
B	7.096	6.579
C	6.296	6.264
D	3.538	3.289
E	3.138	3.132
F	0.500	1.260
G	0.558	0.630
H	-	2.362
J	1.321	0.709
K	1.250	1.181
L	3.892	3.780
M	1.876	1.545
N	0.862	0.827
P	0.750	0.846
R	0.260	0.175
S	0.616	0.524
T	1.000	-
U	0.583	-

	BC406	MXP16N
A	195.48	183.43
B	188.24	167.10
C	159.92	159.10
D	89.87	83.55
E	79.71	79.55
F	12.70	32.00
G	14.17	16.00
H	-	60.00
J	33.56	18.00
K	31.75	30.00
L	98.86	96.00
M	47.65	39.25
N	21.89	21.00
P	19.05	21.50
R	6.60	4.44
S	15.65	13.31
T	25.40	-
U	14.81	-

## MOUNTING

Drawing repeated for reference

### MOUNTING VIA HEAD BOLTS:

- Bolt pattern "P" on the BC406 is .75" [19.05mm].
- Bolt pattern "P" on the MXP16N is 0.846" [21.50mm] square.
- Bolt pattern "T" on the BC406 is 1.00" [25.4mm].
- Bolt pattern "U" on the BC406 is 0.583" [14.81mm].

### CARRIER RELATION TO HEAD BOLT MOUNTING:

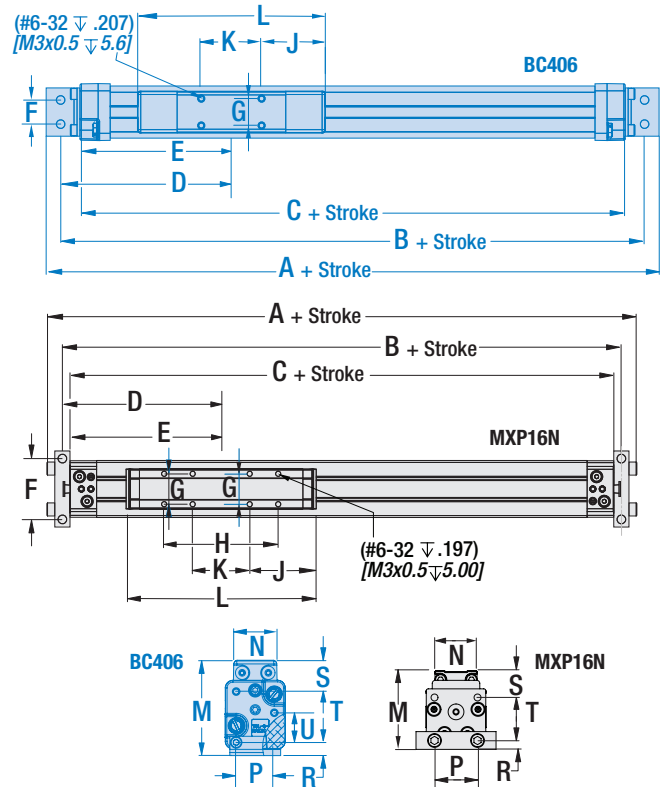
1. Distance from the top of the carrier to the center of the top mounting bolts "S" is decreased by 0.092" [2.34mm].

### MOUNTING VIA FOOT MOUNTS:

1. When mounting the BC406 with foot mounts, the distance between the mounting brackets "B" is reduced by 0.092" [2.34mm] when using the MXP16N.
2. Height of the carrier relative to the bottom of the foot mounts "M" is reduced by 0.331" [8.40mm].

### CARRIER:

1. Carrier bolt pattern "G" & "K" of the BC406 is not replicated on the MXP16N.
2. Carrier length "L" decreases by 0.112" [2.84mm].
3. Distance from the center of the carrier to the back edge of the head "E" decreases by 0.006" [0.152mm].
4. Additional mounting holes "H" are available on the MXP16N.



## ORDERING

### SAMPLE CROSSOVER CONFIGURATION:

#### DISCONTINUED

#### BC406 NP SK5.000 FM2

Config. String: BC406 NP SK5.000 FM2

Bore Size: 0.625" [16 mm]

Unit of measure: SK (inches)

Stroke length 5.000 in

FM: Foot mount for actuator mounting,  
Quantity: 2

#### NEW

#### MXP16N NP SK5.000 FM2

Config. String: MXP16N NP SK5.000 FM2

Bore Size: 0.625" [16 mm]

Unit of measure: SK (inches)

Stroke length 5.000 in

FM: Foot mount for actuator mounting,  
Quantity: 2

**Tolomatic**<sup>™</sup>  
EXCELLENCE IN MOTION

3800 County Road 116, Hamel, MN 55340 USA

http://www.tolomatic.com • Email: Help@Tolomatic.com

Phone: (763) 478-8000 • Fax: (763) 478-8080 • Toll Free: 1-800-328-2174

COMPANY WITH  
QUALITY SYSTEM  
CERTIFIED BY DNV GL  
= ISO 9001 =

All brand and product names are trademarks or registered trademarks of their respective owners. Information in this document is believed accurate at time of printing. However, Tolomatic assumes no responsibility for its use or for any errors that may appear in this document. Tolomatic reserves the right to change the design or operation of the equipment described herein and any associated motion products without notice. Information in this document is subject to change without notice.