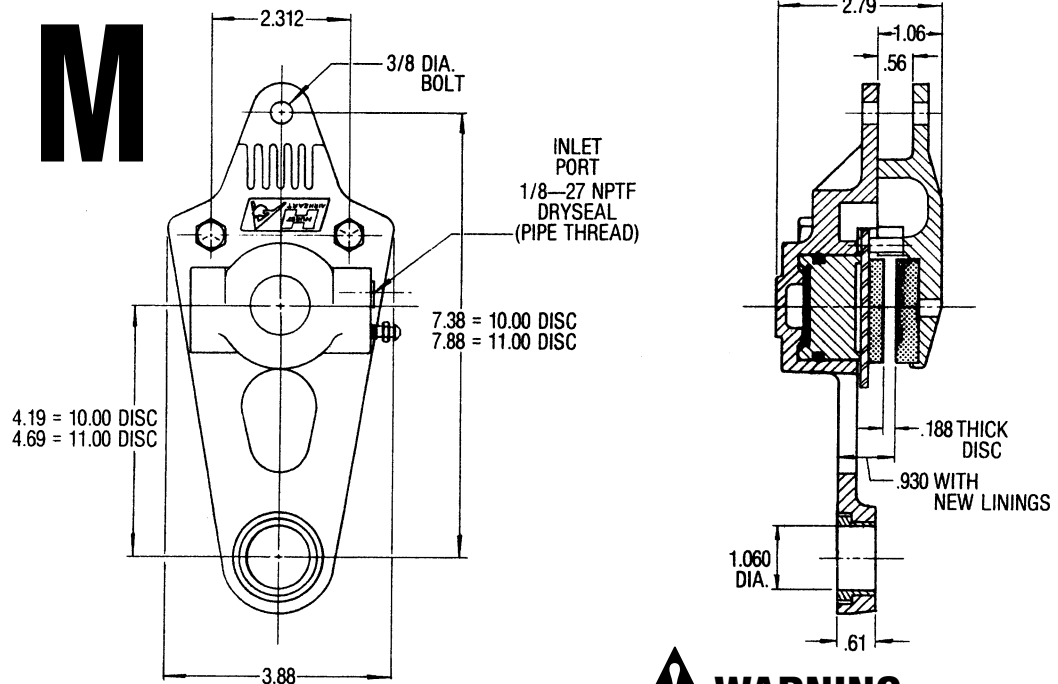




175 M



⚠ WARNING:

MOUNTING: Proper Bracketry is essential to insure against brake failure and should be fabricated only by an experienced professional.

Only use fluid taken from an unopened container or one which has been tightly closed. Brake fluid will absorb water from the atmosphere which will cause fluid boiling at much lower temperatures and will result in loss of brakes.

Calipers 02-13409 & 02-13413 are designed for a 10" dia. disc. Calipers 02-13411 & 02-13415 are designed for an 11" dia. disc. Spacers are available on thicker discs, P/N 456 0027 & 456 0028.

SPECIFICATIONS

- WEIGHT: 1 LB. 8 oz.
- DISPLACEMENT: 0.122 CUBIC INCHES @ 1,000 PSI
- MAXIMUM OPERATING PRESSURE: 1,000 PSI
- TOTAL EFFECTIVE PISTON AREA: 2.4 SQUARE INCHES
- TOTAL PRESSURE DEVELOPED: 2,400 LB. @ 1,000 PSI
- TORQUE DEVELOPED (INCH POUNDS) = 2.46 x PRESSURE IN PSI x (DISC RADIUS — 7/8")
- LININGS: TWO LININGS, EACH 2.4 SQUARE INCHES
- LININGS — USEABLE THICKNESS: 1/4 INCH

TYPE OF FLUID USED: HIGH TEMPERATURE DISC BRAKE FLUID MUST BE USED. (CASTROL GT-LMA, EIS 880, LOCKHEED-WAGNER FC 5920 SPECIAL HEAVY-DUTY BRAKE FLUID OR EQUIVALENT.)

Caliper **MUST** be at 4:30 or 7:30 o'clock position for bleeding. If the installed position of the caliper is not at either of these positions, you will have to free the caliper, rotate and hold it in one of the two positions while you bleed it, then return it to the mounted position and re-fasten it.

⚠ WARNING! MAXIMUM OPERATION PRESSURE FOR THIS CALIPER ASSEMBLY IS 1,000 PSI. DO NOT EXCEED THIS PRESSURE



TOL-O-MATIC, INC.

3800 County Road 116, Hamel, MN 55340
http://www.Tolomatic.com • Email: Help@Tolomatic.com
Phone: (763) 478-8000 • Fax: (763) 478-8080 • Toll Free: 1-800-328-2174



Information furnished is believed to be accurate and reliable. However, Tol-O-Matic assumes no responsibility for its use or for any errors that may appear in this document. Tol-O-Matic reserves the right to change the design or operation of the equipment described herein and any associated motion products without notice. Information in this document is subject to change without notice.