

INTEGRATED SERVO MOTOR/DRIVE/CONTROLLER

The ACSI is an all-in-one solution (motor/drive/controller) for cost-effective servo control. Mount to a Tolomatic (or any) electric actuator for a complete motion system. The ACSI can be controlled with simple digital I/O, analog input or robust industrial ethernet.

ACSI

DIGITAL I/O

- 24 VDC Digital I/O control for flexible easy operating modes
- Opto-isolated

INPUT SUPPLY

- 10 VDC to 60 VDC
- Logic & Drive Power

M12 CONNECTORS

Industry standard connectors

QUALITY TESTED

- Each ACSI is performance tested at Tolomatic before shipping
- Mounted, configured and tested on Tolomatic electric actuators

ANALOG IN/OUT

- 0-10VDC or
- 4-20mA

USB CONFIGURATION PORT

IP65

Protected against dust and low pressure water jets, limited ingress

DUAL ETHERNET PORTS

Supports Star, Daisy Chain and Ring Topologies



- AOP: Add on profile
- AOI: Add on Instructions
- DLR: Device Level Ring

MODBUS TCP



VIBRATION & SHOCK TESTED

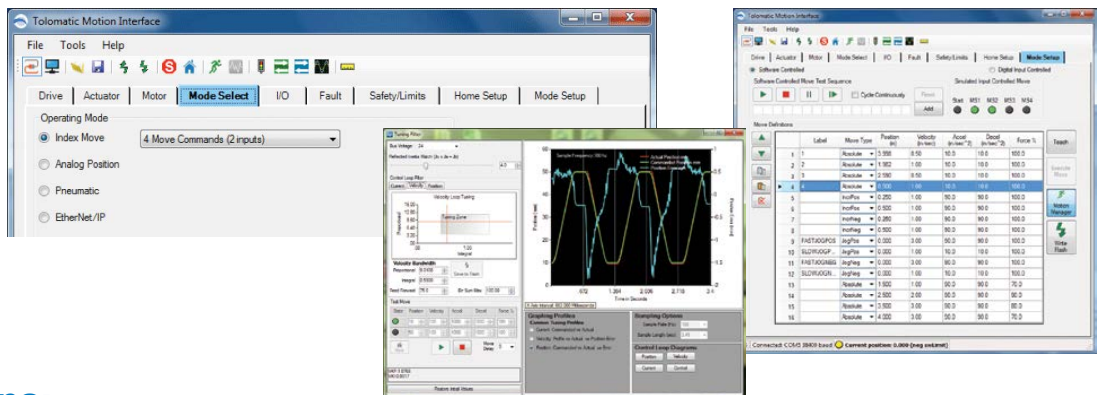
- 2 brms, 5-500 Hz, 2 G, 3-axis, 1 hr
- 20 bpeak, half sine, 11 ms, 3-axis

NEMA 23 & NEMA 34

Industry standard NEMA frame sizes

Easy to Use Operating Modes & Configuration Software

- **OPERATING MODES**
- Index position via digital I/O
- Pneumatic Logic
- Analog Position
- Ethernet
 - EtherNet/IP
 - Modbus TCP
- Supports rotary actuator: position and velocity moves



Available Options:

Cables

3m, 5m or 10m lengths

Planetary Gearboxes

Available ratios - 3:1, 5:1, 10:1

Power Supply

48VDC; 2.5, 5Amp or 10Amp

INTEGRATED SERVO MOTOR/DRIVE/CONTROLLER

Specifications

	NEMA 23 (C1)		NEMA 34 (D1)	
	Basic	Ethernet	Basic	Ethernet
Cont. Torque	0.61 N-m	0.55 N-m	1.53 N-m	1.32 N-m
Max. Cont. Current	11.46 Amps	9.6 Amps	12.7 Amps	11.37 Amps
Peak Torque	1.56 N-m		2.82 N-m	
Max. Peak Current	20 Amps		20 Amps	
Rated Speed*	3500 RPM		1750 RPM	
Max. Speed*	3850 RPM		2050 RPM	
KT	0.09 N-m/Arms		0.16 N-m/Arms	
KE	10 V/kRPM		16.55 V/kRPM	
Rotor Inertia	0.220 kg-cm ²		1.600 kg-cm ²	
Shaft Max. Radial Load**	115 N		220 N	
Shaft Max. Axial Load**	45 N		60 N	
Unit Weight	1.72 kg		3.27 kg	
Motor Poles	8			
Max Case Temp	85°C (185°F)			
Encoder	Differential 1024 lines/rev (4096 counts per rev)			

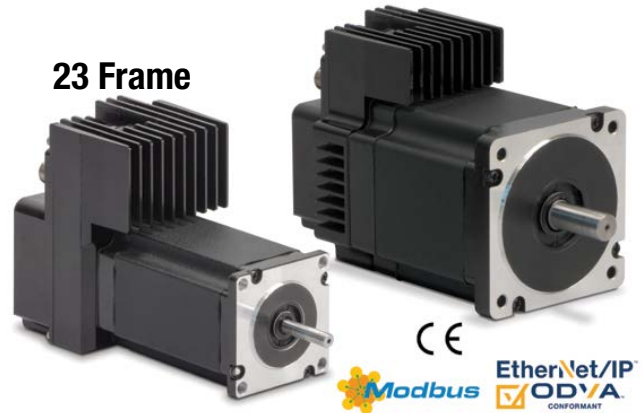
*at 48 VDC

**at L10 - 20,000 hours

ACSI

34 Frame

23 Frame



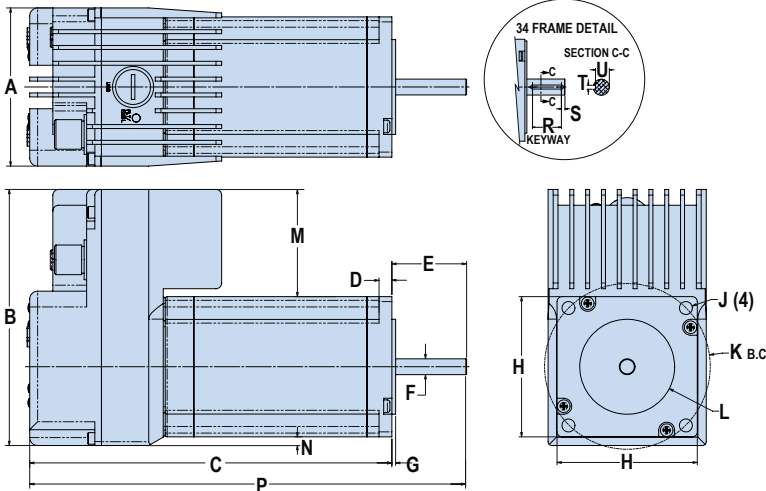
	23 (C1)	34 (D1)
A	63.5	63.5
B	102.8	113.9
C	145.4	150.4
D	5.2	10
E	22.86	31.8
F	6.35	12.7
G	1.5	1.6
H	56.3	85.8
J	5.2	5.5
K	66.68	98.43
L	38.1	73.03
M	43.1	28.3
N	3.5	0
P	168.26	182.2
R	-	22.9
S	-	2.79
T	-	3.18 (+.05, -0.00)
U	-	10.92 (+0.00, -.38)

Dimensions in millimeters

	23 (C1)	34 (D1)
A	2.5	2.5
B	4.05	4.49
C	5.73	5.92
D	0.2	0.39
E	0.9	1.25
F	0.25	0.5
G	0.059	0.063
H	2.22	3.38
J	0.2	0.22
K	2.625	3.875
L	1.5	2.875
M	1.7	1.11
N	0.14	0
P	6.63	7.17
R	-	0.9
S	-	0.11
T	-	0.125 (+.002, -0.00)
U	-	0.430 (+0.00, -0.38)

Dimensions in Inches

Dimensions



Tolomatic™

EXCELLENCE IN MOTION

COMPANY WITH
QUALITY SYSTEM
CERTIFIED BY DNV GL
= ISO 9001 =
Certified site: Hamel, MN

USA - Headquarters
Tolomatic Inc.
3800 County Road 116
Hamel, MN 55340, USA
Phone: (763) 478-8000
Toll-Free: **1-800-328-2174**
sales@tolomatic.com
www.tolomatic.com

MEXICO
Centro de Servicio
Parque Tecnológico Innovación
Int. 23, Lateral Estatal 431,
Santiago de Querétaro,
El Marqués, México, C.P. 76246
Phone: +1 (763) 478-8000
help@tolomatic.com

EUROPE
Tolomatic Europe GmbH
Elisabethenstr. 20
65428 Rüsselsheim
Germany
Phone: +49 6142 17604-0
help@tolomatic.eu

CHINA
Tolomatic Automation Products
(Suzhou) Co. Ltd.
No. 60 Chuangye Street, Building 2
Huqiu District, SND Suzhou
Jiangsu 215011 - P.R. China
Phone: +86 (512) 6750-8506
ServoWeldChina@tolomatic.com

All brand and product names are trademarks or registered trademarks of their respective owners. Information in this document is believed accurate at time of printing. However, Tolomatic assumes no responsibility for its use or for any errors

that may appear in this document. Tolomatic reserves the right to change the design or operation of the equipment described herein and any associated motion products without notice. Information in this document is subject to change without notice.

Visit www.tolomatic.com for the most up-to-date technical information