



GSWA Actuator



High Force Capability

- 11.1 kN / 2500 lbf Weld Force
- 19.6 kN / 4400lbf Peak Force

NO Water Cooling

- Radiant Cooled

ZERO Maintenance

- +10 million cycles / roller screw

High Force Repeatability

- +/- 3 % programmed force / roller screw

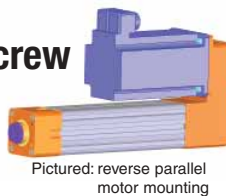
Manual Override Standard

- NO special tools

Available with Roller Screw or Ball Screw

Smaller size and less weight

- Compared to reverse parallel (RP) servo actuator



Pictured: reverse parallel motor mounting

Complete 7th Axis Robot Integration

- Integrate robot manufacturer feedback device into SW enclosed housing

WeldAxis



6 Axis Robot Application

- Integrate with Robot Controller PLC for servo RSW gun operation

Pedestal Guns

- Operation of Servo RSW without robot

Quality Functionality

- "Soft-Touch" eliminates high impact forces
- Weld cap wear & lost weld cap detection
- Position and force can be recorded for each weld

Speed

- "At force" indication allows for immediate welding

Retrofit existing pneumatic applications

- Use existing PLC signals



3800 County Road 116 • Hamel, MN 55340 U.S.A.
Phone: (763) 478-8000 • Fax: (763) 478-8080

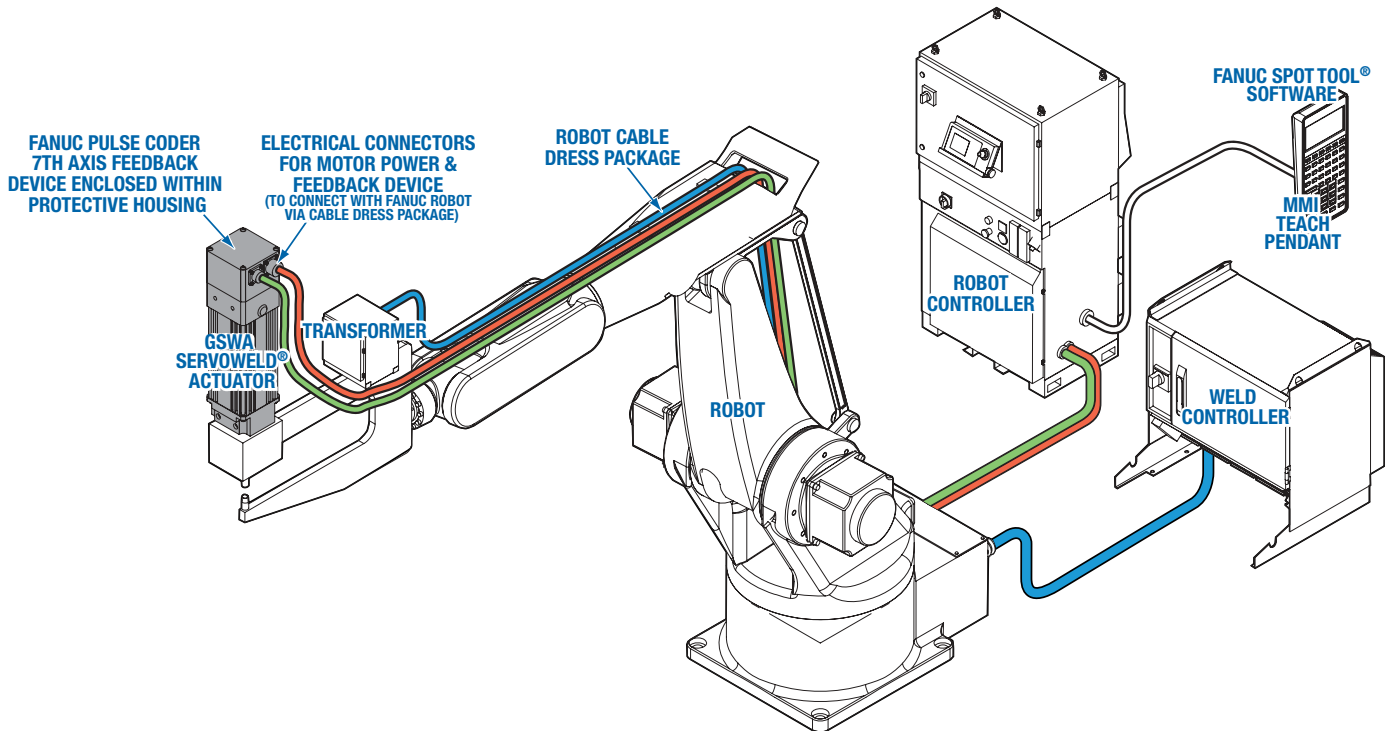
Toll-Free: 1-800-328-2174

Email: help@tolomatic.com • <http://www.tolomatic.com>

BROCHURE NUMBER:
3604-4164_01

7th AXIS ROBOT CONTROLLER / SERVOWELD® INTEGRATION

- Complete RSW Gun Operation From Robot 7th Axis Controller/Drive
- Easy Connection with Robot Cable Dress Package



- A.) Order robot with auxiliary 7th axis feedback device.
- B.) Tolomatic to provide RMA number to robot manufacturer for shipment of the 7th Axis feedback device directly to Tolomatic.
- C.) Tolomatic will mount 7th axis robot feedback device to Servoweld actuator, electronically phase Servoweld motor windings with feedback device windings, validate functionality of Servoweld/7th axis robot feedback device combination.
- D.) Tolomatic ships GSWA Servoweld actuator for mounting on RSW gun.
- E.) Robot manufacturer provides robot 7th Axis Set-Up Software with GSWA Servoweld actuator parameters integrated into program User Selectable Option

SERVO WELD®

Tolomatic
EXCELLENCE IN MOTION®

3800 County Road 116 • Hamel, MN 55340 U.S.A.
Phone: (763) 478-8000 • Fax: (763) 478-8080

Toll-Free: **1-800-328-2174**

Email: help@tolomatic.com • <http://www.tolomatic.com>

BROCHURE NUMBER:
3604-4164_01