

**For Customer Specified Motor (SYC/YM) on
B3S, B3W, BCS, MXB, MXE, ERD, RSA, GSA Actuators**
(IN-LINE & REVERSE PARALLEL MOUNTING CONFIGURATIONS)

**DETERMINE IF SPECIFIED MOTOR IS LISTED ON YMH
(YOUR MOTOR HERE) PROGRAM:**

1. Review the standard motor mount dimensional data in the YMH program to determine if a customer supplied motor is listed and dimensionally correct with Tolomatic dimensional files. The YMH program can be found at this website:

<https://www.tolomatic.com/info-center/tools/your-motor-here>

2. If the supplied motor matches the dimensions (endface and shaft) of a YMH motor, indicate that model and size in the configuration string and add either the required YM##### or optional SYC identifier.

For example: A supplied motor matches the dimensions of a YMH code. The customer will supply the motor and Tolomatic furnish standard hardware and couplers (YM##### option). YM##### with the appropriate YM code displayed would be entered into the configuration string.

If a STC option would be added to the actuator part number, customer's motor would be sent to Tolomatic for mounting.

Standard pricing applies for quoting.

3. Fill out the front side of this form and include a full endface and shaft dimensional drawing of the motor specified for Tolomatic to verify the dimensions.

**IF MOTOR IS NOT LISTED ON YMH (YOUR MOTOR HERE)
PROGRAM:**

If the specified motor does not match the dimensions or codes in the YMH program, a modification of the motor mount will be required. Follow the procedure outlined below:

1. Complete the following information in the "Customer Motor and Actuator Specifications" section below.

2. For both in-line (LMI) and reverse parallel (RP) motor mounting that would need small modifications or individual parts swapped to accept a customer motor price adders would apply.

If the dimensions do not fall within a small modification situation, the motor mounting will require a custom internal RFQ (Request For Quotation). Contact Tolomatic.

3. A full endface and shaft dimensional drawing of the motor specified is to be included with all customer supplied motor requests.

4. For gearhead reduction, please refer to the YMH program or contact our sales department for additional requirements on gearhead specifications.

Customer Name: _____

Company: _____

Tolomatic Distributor/Rep: _____

Dist/Rep Contact _____

Motor Manufacturer: _____

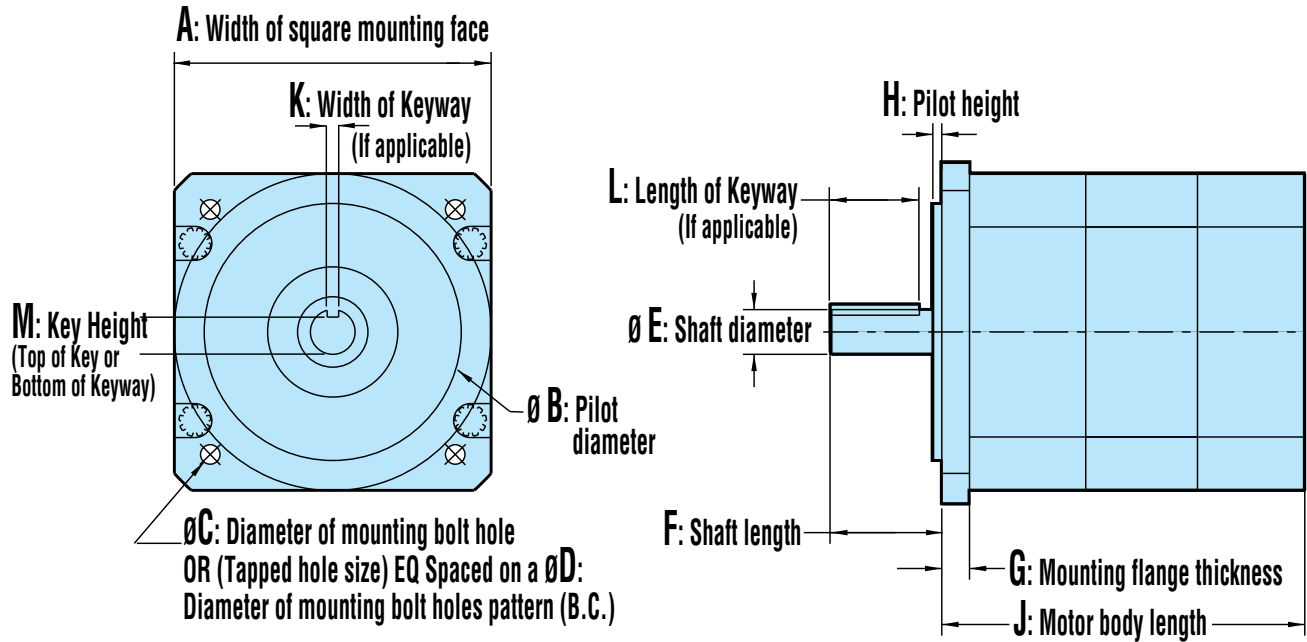
Motor Model No.: _____

Motor Weight (including gearhead if appropriate): _____

Motor Type: BRUSHLESS SERVO STEPPER BRUSHED DC

Actuator Configuration String: _____

NOTE: This specification sheet only applies to motors with C-Flange (with tapped holes) and D-Flange (with thru holes) mounted in-line, without gearhead reduction. For gearhead reduction or C-Face motors (no flange with tapped holes) contact Tolomatic.



UNITS SPECIFIED IN TABLE BELOW ARE: INCHES MM * IF APPLICABLE, IS KEY INCLUDED YES NO

A	B	C	D	E	F	G	H	J	K	L	M*

Please submit a completed copy of this form along with your motor print and actuator specifications to Tolomatic for an RFQ.