

GUIDED ROD-STYLE ELECTRIC ACTUATOR GSA-ST

The GSA-ST guided screw actuator with self-contained guided rod design and cylinder slide style operation is ideal for applications requiring guidance and support of the load. A robust, wide tooling plate allows easy mounting of the required end effectors for many applications. Built-to-order in stroke lengths up to 914 mm (36") with various leads, solid and ball screw options.

Options:

Stop Collars
Stainless Steel Rods/
Stop Collars

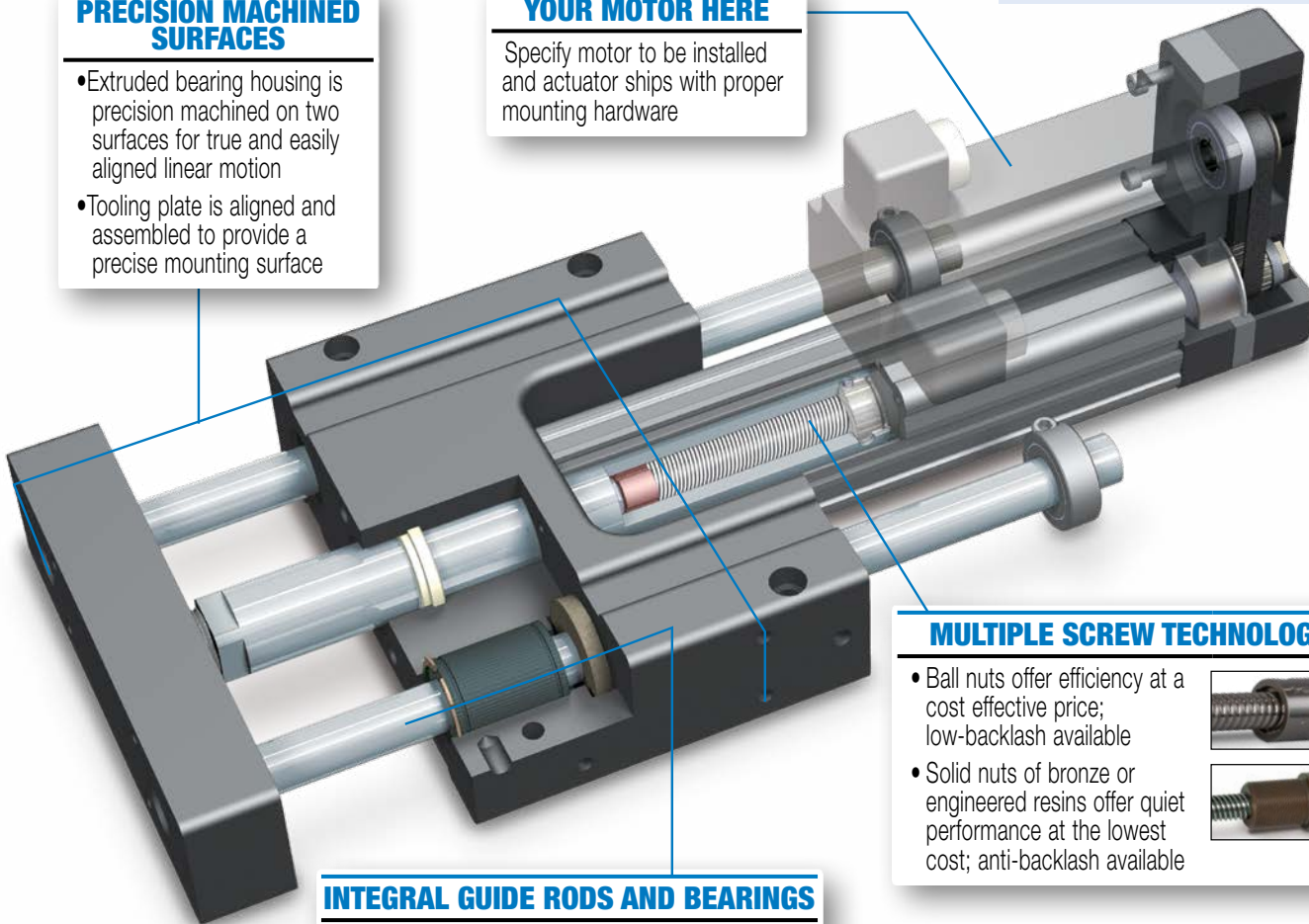
Oversized Guide Rods
Metric Mounting
Switches

PRECISION MACHINED SURFACES

- Extruded bearing housing is precision machined on two surfaces for true and easily aligned linear motion
- Tooling plate is aligned and assembled to provide a precise mounting surface

YOUR MOTOR HERE

Specify motor to be installed and actuator ships with proper mounting hardware



MULTIPLE SCREW TECHNOLOGIES

- Ball nuts offer efficiency at a cost effective price; low-backlash available
- Solid nuts of bronze or engineered resins offer quiet performance at the lowest cost; anti-backlash available

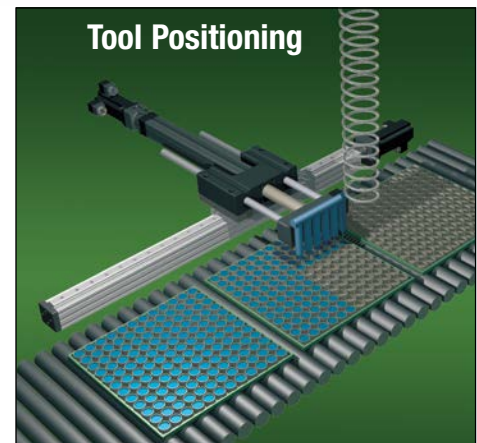


INTEGRAL GUIDE RODS AND BEARINGS

- Hardened steel guide rods provide high rigidity and low deflection
- Four composite or linear ball bearings support the load for smooth, consistent motion
- Lubrication wick supplies lube for life of actuator

Applications:

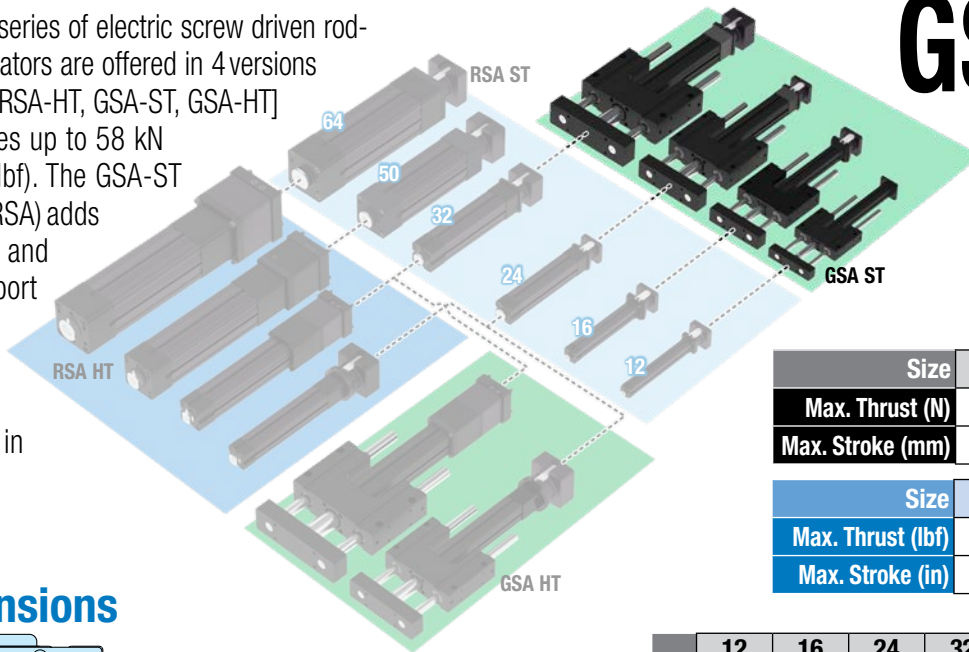
- Aligning
- Animation
- Assembly
- Automotive
- Conveyors
- Diverting
- Gating
- Material handling systems
- Medical equipment
- Open / close doors
- Packaging equipment
- Pick & place
- Piercing
- Plate positioning change
- Press fit
- Pressing
- Punching
- Robot manipulator arms
- Sonic welding
- Sorting
- Volumetric pumps
- Web guidance
- Wire winding
- & more!



GUIDED ROD-STYLE ELECTRIC SCREW-DRIVE ACTUATOR

GSA-ST

The RSA series of electric screw driven rod-style actuators are offered in 4 versions [RSA-ST, RSA-HT, GSA-ST, GSA-HT] with forces up to 58 kN (13,039 lbf). The GSA-ST (guided RSA) adds guidance and load support to the design and is available in 4 sizes.

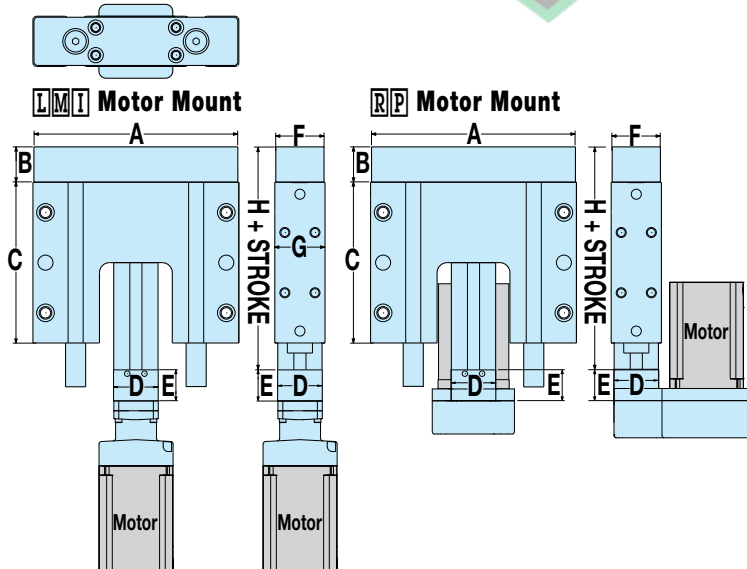


Specifications

Size	12	16	24	32
Max. Thrust (N)	578	578	3,781	4,226
Max. Stroke (mm)	457	609	762	914

Size	12	16	24	32
Max. Thrust (lbf)	130	130	850	950
Max. Stroke (in)	18	24	30	36

Dimensions



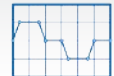
NOTE: YMH (Your Motor Here) will determine motor size, motor mount size and reverse parallel housing size. Complete dimensions available in RSA/GSA brochure #3600-4166; Always use solid models available at www.tolomatic.com for critical dimensions

	12	16	24	32
A	130.2	158.8	196.9	254.0
B	22.4	28.6	35.1	41.4
C	101.6	127.0	152.4	177.8
D	28.6	35.0	51.8	65.5
E	18.3	18.3	36.0	45.4
F	30.5	43.2	54.6	67.3
G	31.8	44.5	57.2	69.9
H	144.1	163.1	206.6	249.0

Dimensions in millimeters

	12	16	24	32
A	5.13	6.25	7.75	10.00
B	0.88	1.13	1.38	1.63
C	4.00	5.00	6.00	7.00
D	1.13	1.38	2.04	2.58
E	0.72	0.72	1.42	1.79
F	1.20	1.70	2.15	2.65
G	1.25	1.75	2.25	2.75
H	5.68	6.42	8.14	9.81

Dimensions in inches



ACTUATOR
SIZING

- SIZING SOFTWARE
- SOLID MODELS
- CATALOG

AVAILABLE AT:

www.tolomatic.com



CAD
LIBRARY



MADE IN U.S.A.

TolomaticTM
EXCELLENCE IN MOTION

COMPANY WITH
QUALITY SYSTEM
CERTIFIED BY DNV
= ISO 9001 =
Certified site: Hamel, MN

USA - Headquarters

Tolomatic Inc.
3800 County Road 116
Hamel, MN 55340, USA
Phone: (763) 478-8000
Toll-Free: **1-800-328-2174**
sales@tolomatic.com
www.tolomatic.com

MEXICO

Centro de Servicio
Parque Tecnológico Innovación
Int. 23, Lateral Estatal 431,
Santiago de Querétaro,
El Marqués, México, C.P. 76246
Phone: +1 (763) 478-8000
help@tolomatic.com

EUROPE

Tolomatic Europe GmbH
Elisabethenstr. 20
65428 Rüsselsheim
Germany
Phone: +49 6142 17604-0
help@tolomatic.eu
www.tolomatic.com/de-de

CHINA

Tolomatic Automation Products (Suzhou) Co. Ltd.
No. 60 Chuangye Street, Building 2
Huqiu District, SND Suzhou
Jiangsu 215011 - P.R. China
Phone: +86 (512) 6750-8506
Tolomatic_China@tolomatic.com

All brand and product names are trademarks or registered trademarks of their respective owners. Information in this document is believed accurate at time of printing. However, Tolomatic assumes no responsibility for its use or for any errors

that may appear in this document. Tolomatic reserves the right to change the design or operation of the equipment described herein and any associated motion products without notice. Information in this document is subject to change without notice.

Visit www.tolomatic.com for the most up-to-date technical information