

Electronic Motor Brake



FROM JVL Industri Elektronik A/S

The JVL electronic brake is designed to be mounted on JVL and other stepper and servo motors without build in controller. A high quality electro-magnetic brake is mounted inside the housing. The brake has zero backlash and no auditory noise.

It fits on 23 & 34 frame stepper and servo motors see dimensional drawings to confirm shaft size and other dimensions.

The brake is used to hold the motor shaft fixed at power off, or when the motor is used in a vertical linear application.

When 24 VDC is connected, the brake will be deactivated and the motor can turn freely. It is recommended to use the brake only as a holding brake and not as an emergency brake.



SPECIFICATIONS

NEMA FRAME SIZE	HOLDING TORQUE	INPUT SHAFT DIA.	OUTPUT SHAFT DIA.	CONNECTION	IP CURRENT @24VDC	WEIGHT (W/O CABLE)
	Oz-In	inch	inch		Amp	lb
	[Nm]	[mm]	[mm]			[kg]
23	212.42	0.250	0.551	M8	0.45 Amp IP55	0.99
	[1.5]	[6.35]	[14.00]			[0.45]
34	240.74	0.551	0.551	M8	0.23 Amp IP55	3.13
	[1.7]	[14]	[14]			[1.42]

Recommended torque clamping Screw 2.5 ft-lbs [3.4 Nm]

ORDERING

MOTOR

AM V2 C1 B1

MOTOR ORDER CODE	
AM	Tolomatic Motor

MOTOR TYPE	
V2	Servo Motor

FRAME SIZE	
C1	23 Frame Motor, 1 stack
C2	23 Frame Motor, 2 stack
C3	23 Frame Motor, 2 stack
D1	34 Frame Motor, 1 stack
D2	34 Frame Motor, 2 stack

MOTOR OPTIONS	
A1	Encoder
A2	Encoder / 5:1 Gearhead
A3	Encoder / 10:1 Gearhead
E1	Encoder with SS2 option
B1	Encoder / Brake
B2	Encoder / Brake / 5:1 Gearhead
B3	Encoder / Brake / 10:1 Gearhead

Electronic Motor Brakes are primarily sold as part of a complete assembly including actuator and motor. Tolomatic will install and test the completed actuator, Electronic Motor Brake, and motor assembly before shipping. **Call Tolomatic if you wish to install a Electronic Motor Brake on an existing actuator.**

Contact Tolomatic for other motor mounting options.

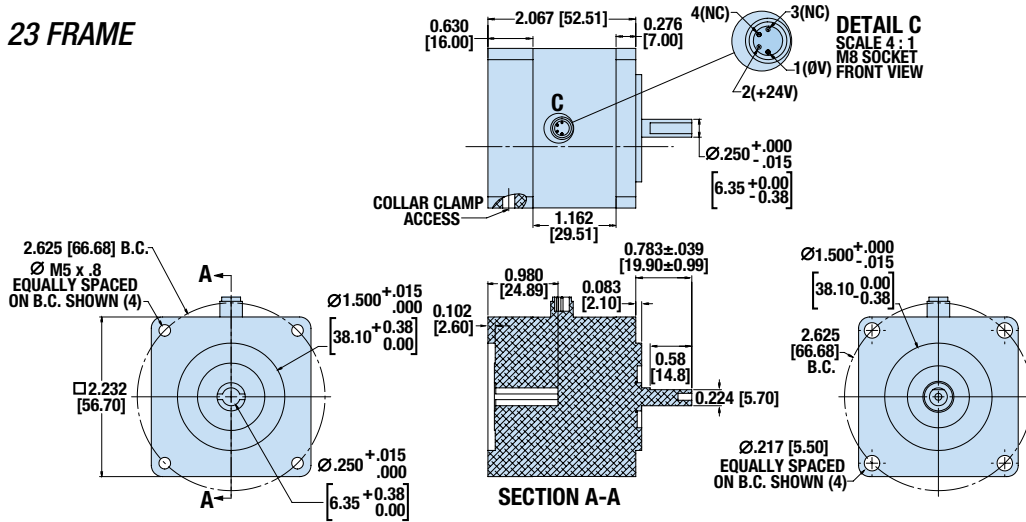
(⚠ Tolomatic assumes no responsibility that an electronic motor brake will fit or perform with your motor or actuator if sold separately.)

Electric Linear Motion Products

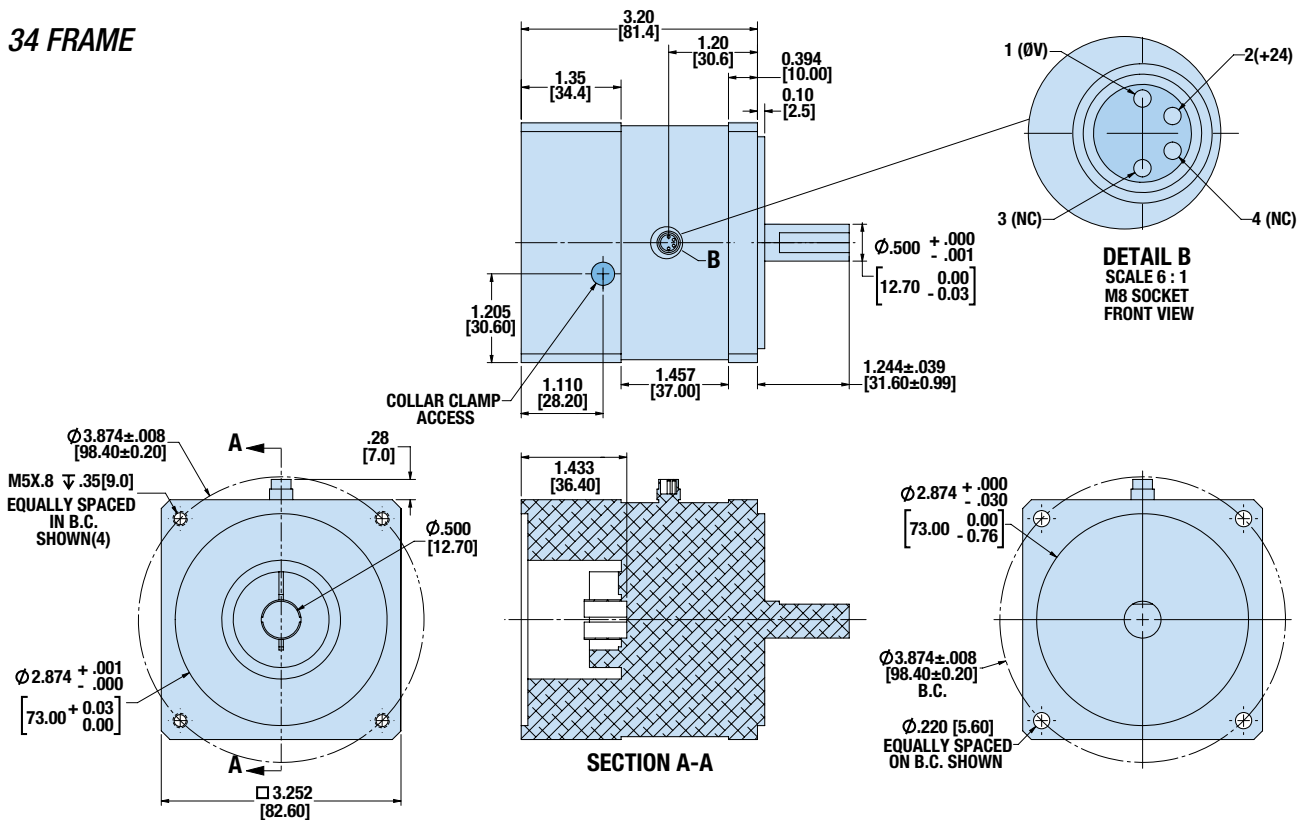
Electronic Motor Brake

DIMENSIONS

23 FRAME



34 FRAME



Toll-Free: **1-800-328-2174**
U.S. AND CANADA

Visit www.tolomatic.com for the most up-to-date technical information

© Copyright 2015, Tolomatic, Inc. All brand, product and corporate names are trademarks of their respective owners, and are used only for explanation and to the owner's benefit, without intent to infringe. Information furnished in this catalog is believed to be accurate and reliable at the time of printing. However, Tolomatic assumes no responsibility for its use or for any errors that may appear in this document. Tolomatic reserves the right to change the design or operation of the equipment described herein and any associated motion products without notice. Information in this document is subject to change without notice.

Brochure #3600-4189_00

3800 County Road 116 • Hamel, MN 55340, U.S.A.
Phone: (763) 478-8000 • Fax: (763) 478-8080
www.Tolomatic.com • Email: help@Tolomatic.com

