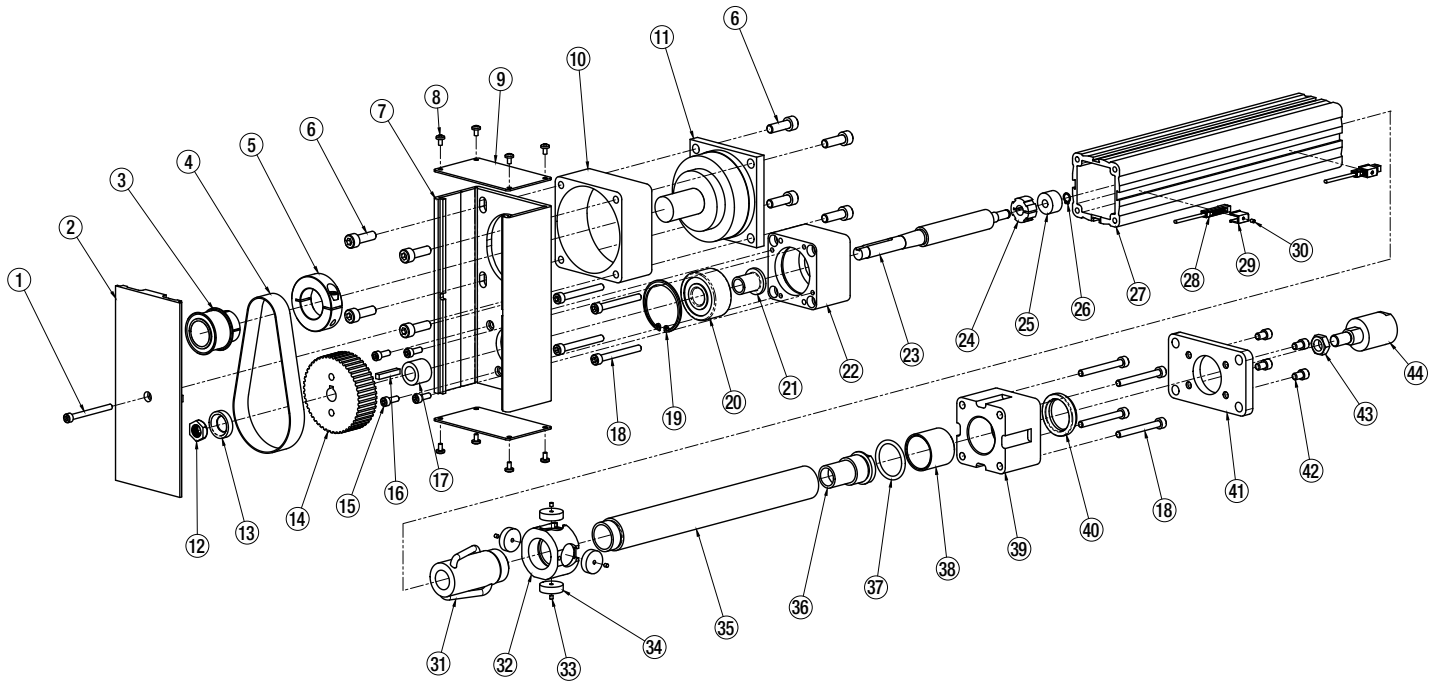


Rod Screw Actuator

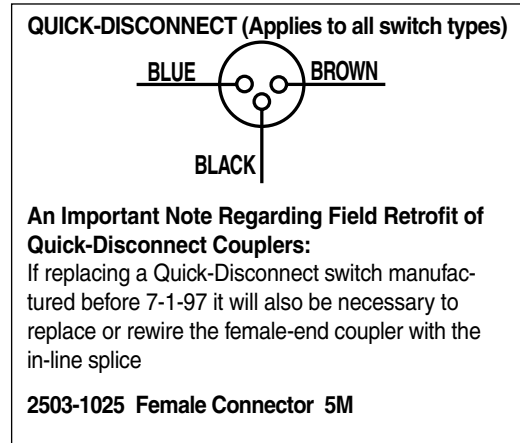
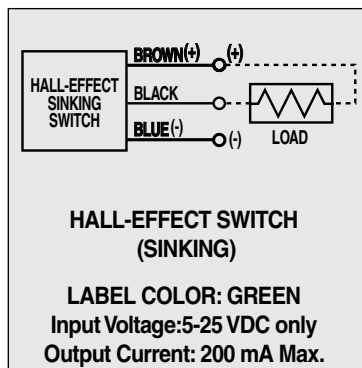
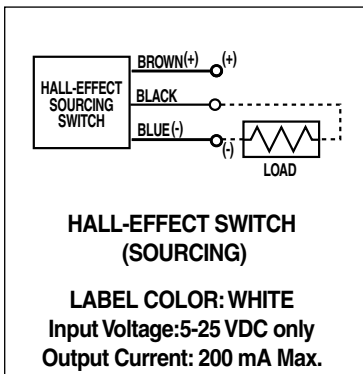
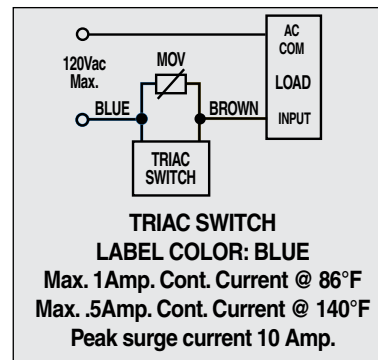
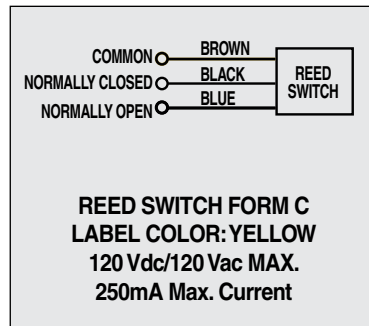
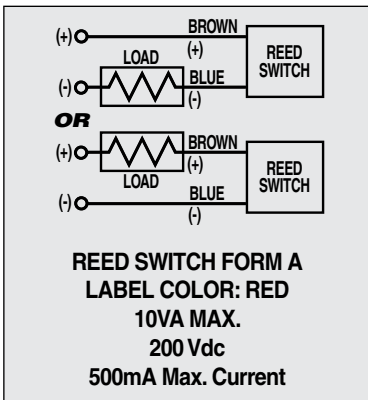
RSA #11320627C


ITEM	PART NO.	DESCRIPTION	QTY.	ITEM	PART NO.	DESCRIPTION	QTY.
1	3420-1639	SHCS, M5X0.8, 55MM, SS	1	23	1132-1223	SCREW, LD, MACH, BN02, RSA32, SPL	1
2	1132-1226	COVER, RP, MACH, 7.600L, SPL	1	24	1132-1315	BSHG, RLR SCRW, RSA32	1
3	2150-9017	PLY/FLG ASSY 5MM, 24MM BORE	1	25	2120-1029	SPRING, POLY, .295ID, .813OD, .50L	1
4	2164-1007	BELT, TMG, 5P, 19W, 295L, NEO	1	26	0910-1198	RING, RET, EXT, 5100-31	1
5	2250-1010	COLLAR, SHAFT, 30MM, 54MM, 15MM	1	27	2120-1031	TUBE, MACH, RSA32 BALL	1
6	2164-1065	SHCS, M8X1.25, 25MM, SS	8	28	3600-9089	SW, SOURC(PNP), HE, MALE CONN	2
7	1132-1225	HSNG, RP, 105B, 85P, 7.6L, RSA32, SPL	1	29	2503-1034	SWITCH, CLAMP	2
8	0601-1625	SCREW, S-TAP, #6 X .25, SS	8	30	3600-1831	SCREW, SET, #4-40X.18, SL, CP, SS	2
9	0602-1602	CAP, END, RP HOUSING,	2	31	0520-1042	NUT, BALL, 3/4" ID, 2TPI	1
10	1132-1227	MTR PLT, 105B, 85P, 1.6T, RP, RSA32, SPL	1	32	2132-1116	COUPLER, NUT/ROD, RSA32	1
11	GEARHEAD	OMRON R88G-HPG20A11400BJ	1	33	0905-1109	MAGNET, ROD, DIA.250X.125, MGOe35	4
12	1132-1013	NUT, SPHERICAL, SPIRALOCK, M12, SS	1	34	2132-1120	BEARING, ROD/NUT COUPLER, RSA32	4
13	1132-1014	WASHER, SPHERICAL, .53, 1.03, SS	1	35	2120-1007	TUBE, THRUST, MACH, RSA32	1
14	1132-1224	PLY, TMG, 5P, .933W, 48T, 1/2B, SPL	1	36	1132-1006	RSA32RODEND	1
15	0601-2070	SHCS, M5X0.8, 14MM, SS	4	37	2120-1020	O-RING, POLYU, -218	1
16	2120-1024	KEY, SQ, .188X.188X1.125	1	38	2120-1023	BEARING, SLEEVE	1
17	1132-1222	WASHER, .550, .88, .700, STL	1	39	1132-1002	HEAD, MACH, RSA32, STD	1
18	2232-1011	SHCS, M6X1.0, 55MM, SS	8	40	2120-1030	WIPER, ROD, .125 ID	1
19	2120-1021	RING, BEV, INT, 5002-187	1	41	1132-1052	FLANGE, FRONT/REAR	1
20	2100-1012	BRNG, BL, DR ANG, 17, 47, 22, 2SLS	1	42	3415-1206	SHCS, 1/4-28X1.25, SS	4
21	1132-1044	SLEEVE, LDSCR, TAPER, RSA32	1	43	2124-1017	NUT, JAM, 7/16-20, SS	1
22	1132-1037	BRNG PLT, RSA, 32	1	44	1124-1060	CPLR, RSM24/32, ALIGNMENT	1

Alternate Switches

Description	SWITCH KIT		Switch Kit number (Hardware & switch)	
	Part Number	(SWRSA32_...)	Description	
28. Switch Only, Reed, Form C, 5m	3600-9084	BT	Form C, 5m lead	
Switch Only, Reed, Form C, Male Conn.	3600-9085	BM	Form C, 5m QD lead	
Switch Only, Reed, Form A, 5m	3600-9082	RT	Form A, 5m lead	
Switch Only, Reed, Form A, Male Conn.	3600-9083	RM	Form A, 5m QD lead	
Switch Only, Triac, 5m	3600-9086	CT	Triac switch, 5m lead	
Switch Only, Triac, Male Conn.	3600-9087	CM	Triac switch, 5m QD lead	
Switch Only, Hall-effect, Sinking, 5m	3600-9090	KT	Hall-effect, Sinking switch, 5m lead	
Switch Only, Hall-effect, Sinking, Male Conn.	3600-9091	KM	Hall-effect, Sinking switch, 5m QD lead	
Switch Only, Hall-effect, Sourcing, 5m	3600-9088	TT	Hall-effect, Sourcing switch, 5m lead	
Switch Only, Hall-effect, Sourcing, Male Conn.	3600-9089	TM	Hall-effect, Sourcing switch, 5m QD lead	
Connector (Female) 5 meter lead	2503-1025			

Universal Switch Wiring Diagrams and Label Color Coding



P: 763.478.8000 • 800.328.2174
 F: 763.478.8080
 E: info@tolomatic.com
 www.tolomatic.com

3800 County Road 116 • Hamel • MN 55340-9360



Information furnished is believed to be accurate and reliable. However, Tolomatic assumes no responsibility for its use or for any errors that may appear in this document. Tolomatic reserves the right to change the design or operation of the equipment described herein and any associated motion products without notice. Information in this document is subject to change without notice.