

ECONOMICAL ROD-STYLE ELECTRIC CYLINDER

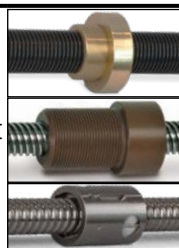
The ERD is an economical electric cylinder compatible with many NEMA & metric mount stepper and servo motors to create a flexible, powerful, yet cost-effective electric cylinder solution over traditional pneumatic cylinders.

ERD

MULTIPLE SCREW TECHNOLOGIES

YOU CAN CHOOSE:

- Solid nuts of bronze (15, 20 sizes) or engineered resins (10, 15 sizes) offer quiet performance at the lowest cost
- Ball nuts offer efficiency, longer life, and higher force capability



tolomatic.com/CAD
Download 3D CAD
Always use CAD solid model to determine critical dimensions



sizeit.tolomatic.com
for fast, accurate actuator selection

PATENTED



THREADED NOSE MOUNT WITH JAM NUT

THREADED ROD END



STAINLESS-STEEL THRUST TUBE & MAIN TUBE

300 series stainless-steel provides high rigidity and corrosion resistance

INTERNAL MAGNET

For sensor signaling

NOSE BEARING

- Engineered resins for smooth operation
- Provides critical support of thrust rod

OVERSIZED MAIN BEARING

- Oversized for long life
- Accommodates high thrust load

NEMA OR YOUR MOTOR HERE

Options:

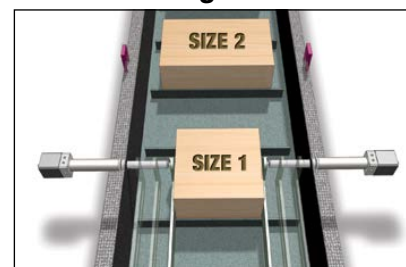
- TRR – Trunnion Mount
- PCD – Rear Clevis Mount
- FM2 – 2 Foot Mounts
- FFG – Front Flange
- ARI – Internal Anti-rotate

- SS1 – 300 Series Stainless Steel
- IP67 – IP67 Seal
- IP69K – IP69K Seal
- GD2 – Light Duty External Guide

Applications:

- Aligning
- Animation
- Assembly
- Automotive
- Conveyors
- Diverting
- Fillers
- Gating
- Material handling systems
- Medical equipment
- Open / close doors
- Packaging equipment
- Pick & place
- Plate positioning change
- Press fit
- Robot manipulator arms
- Sonic welding
- Sorting
- Volumetric pumps
- Web guidance
- Wire winding & more!

Product Change Over



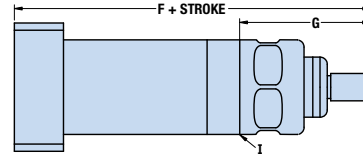
ECONOMICAL ELECTRIC: PNEUMATIC CYLINDER REPLACEMENT

Specifications (metric measurement)

| ERD SIZE | MAXIMUM STROKE | SCREW CODE | LEAD | LEAD ACCURACY | BACKLASH | MAXIMUM THRUST | DYNAMIC LOAD RATING |
|----------|----------------|------------|--------|---------------|----------|----------------|---------------------|
| mm | mm | | mm/rev | mm/300mm | mm | N | N |
| 10 | 254.0 | SNO1 | 25.4 | 0.18 | 0.18 | 188 | NA |
| | | SNO2 | 12.7 | 0.18 | 0.18 | 188 | NA |
| | | SNO5 | 5.08 | 0.18 | 0.18 | 188 | NA |
| | | BNM05 | 5.00 | 0.87 | 0.13 | 445 | 1,068 |
| 15 | 304.8 | SNO1 | 25.4 | 0.15 | 0.18 | 334 | NA |
| | | SNO2 | 12.7 | 0.13 | 0.18 | 334 | NA |
| | | SNO5 | 5.08 | 0.15 | 0.18 | 334 | NA |
| | 609.6 | BNM05 | 5.00 | 0.87 | 0.13 | 890 | 2,002 |
| | | BNM10 | 10.00 | 0.87 | 0.13 | 890 | 1,779 |
| 20 | 609.6 | BZ10 | 2.54 | 0.15 | 0.20 | 890 | NA |
| | | BNM05 | 5.00 | 0.87 | 0.13 | 2,224 | 4,003 |
| | | BNM10 | 10.00 | 0.87 | 0.13 | 2,224 | 4,003 |
| | | BNM20 | 20.00 | 0.87 | 0.10 | 2,224 | 10,000 |
| | | BZ10 | 2.54 | 0.15 | 0.20 | 2,224 | NA |

ERD

Dimensions OPTION: IP67, IP69K



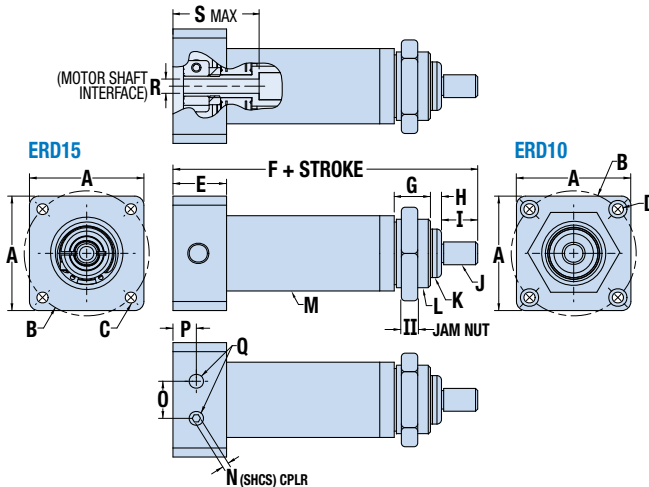
*Dimension shown is with Tolomatic AMxxx motor hardware YMH option will determine this dimension.

IP67 & IP69K Option replaces the Jam Nut

| | ERD10 | ERD15 | ERD20 |
|--------------|------------------------------|--------|--------|
| IP67 | | | |
| F mm | 121.8 | 152.4* | 204.8* |
| G mm | 44.17 | 53.0 | 72.5 |
| IP69K | | | |
| F mm | 128.1 | 164.8 | 204.8* |
| G mm | 50.52 | 65.7 | 72.5 |
| I | Surface for mounting options | | |



Dimensions SIZE: 10, 15, 20



| | ERD10 | ERD15 | ERD20 |
|-------------|----------------------|-----------------------|-----------------------|
| A mm | 40.13 | 56.39* | * |
| B mm | Ø43.82 | Ø66.68* | * |
| C mm | - | M4 x 0.7* | * |
| D mm | Ø3.91 | - | * |
| F mm | 106.7 | 137.2* | * |
| I mm | 12.70 | 19.05 | 19.05 |
| L mm | M24 x 1.5 | M34 x 1.5 | M44 x 1.5 |
| O mm | 13.00 | 13.00 | 23.37 |
| P mm | 8.20 | 7.57* | * |
| Q mm | (2) M6 x 1.0 ±7.9 | (2) M6 x 1.0 ±12.7 | (2) M6 x 1.0 ±12.7 |

*This dimension is determined by motor choice.



MADE IN U.S.A.

Tolomatic™

EXCELLENCE IN MOTION

COMPANY WITH
QUALITY SYSTEM
CERTIFIED BY DNV
= ISO 9001 =
Certified site: Hamel, MN

USA - Headquarters

Tolomatic Inc.
3800 County Road 116
Hamel, MN 55340, USA
Phone: (763) 478-8000
Toll-Free: **1-800-328-2174**
sales@tolomatic.com
www.tolomatic.com

MEXICO

Centro de Servicio
Parque Tecnológico Innovación
Int. 23, Lateral Estatal 431,
Santiago de Querétaro,
El Marqués, México, C.P. 76246
Phone: +1 (763) 478-8000
help@tolomatic.com

EUROPE

Tolomatic Europe GmbH
Elisabethenstr. 20
65428 Rüsselsheim
Germany
Phone: +49 6142 17604-0
help@tolomatic.eu
www.tolomatic.com/de-de

CHINA

Tolomatic Automation Products (Suzhou) Co. Ltd.
No. 60 Chuangye Street, Building 2
Huqiu District, SND Suzhou
Jiangsu 215011 - P.R. China
Phone: +86 (512) 6750-8506
Tolomatic_China@tolomatic.com

All brand and product names are trademarks or registered trademarks of their respective owners. Information in this document is believed accurate at time of printing. However, Tolomatic assumes no responsibility for its use or for any errors

that may appear in this document. Tolomatic reserves the right to change the design or operation of the equipment described herein and any associated motion products without notice. Information in this document is subject to change without notice.

Visit www.tolomatic.com for the most up-to-date technical information