

How to install ERD22, ERD25 & ERD30 actuators to conform with USDA accepted equipment certification.



Contents

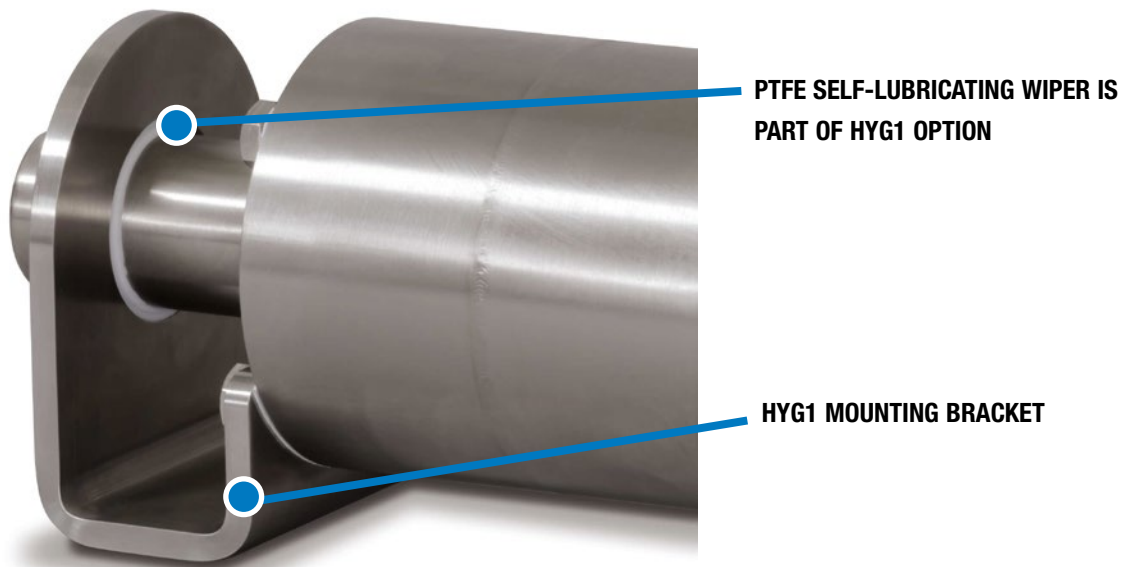
- 1 Tolomatic ERD22/25/30 USDA Accepted Equipment Certification 2
- 2 ERD22, ERD25 & ERD30 HYG1 option 2
- 3 Acceptable Mounting and Installation Configurations 2
- 4. ERD25 & ERD30 USDA Equipment Acceptance Certificate (Dairy)..... 5
- 5. ERD25 & ERD30 USDA Equipment Acceptance Certificate 6
- 6. ERD22 USDA Equipment Acceptance Certificate..... 7

1. Tolomatic ERD USDA Accepted Equipment Certification

Tolomatic ERD22, ERD25 & ERD30 electric cylinders are USDA Accepted Equipment Certified for use in meat (livestock), poultry, and dairy food processing applications when ordered with the IP69K HYG1 option. These products conform to USDA specifications for all external actuator materials including metals, plastics, rubbers and lubricants. This Technical Note will discuss the IP69K HYG1 option, the acceptable mounting procedures and how to install the ERD22, ERD25 & ERD30 actuators to maintain USDA food safety regulations for Class 1, clean in place installations.

2. ERD22, ERD25 & ERD30 IP69K HYG1 Option

All ERD22, ERD25 & ERD30 electric cylinders are available when ordering with the IP69K HYG1 USDA approved hygienic design option. This option includes the use of PTFE (polytetrafluoroethylene) self-lubricating wiper for maximum ingress protection and resistance to caustic wash down procedures and a special USDA mounting bracket that should be used in the mounting scenarios shown in section 3.

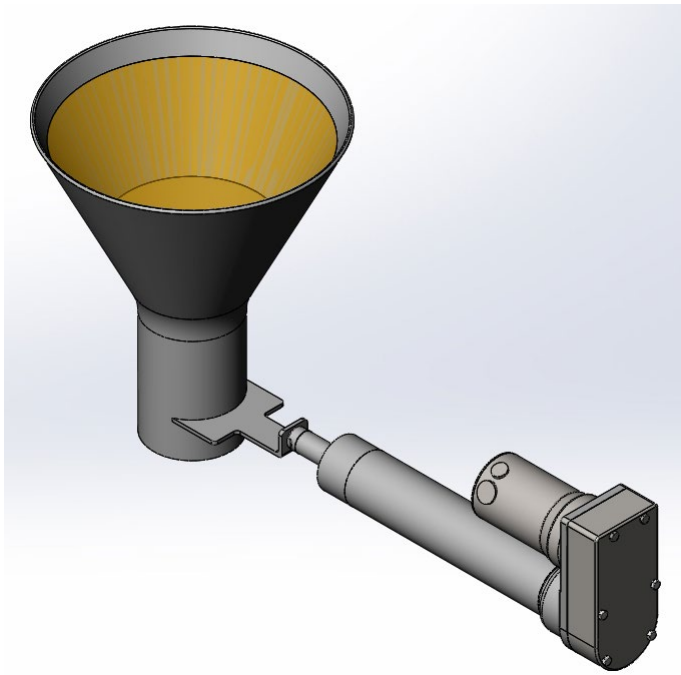


3. Acceptable Mounting and Installation Configurations

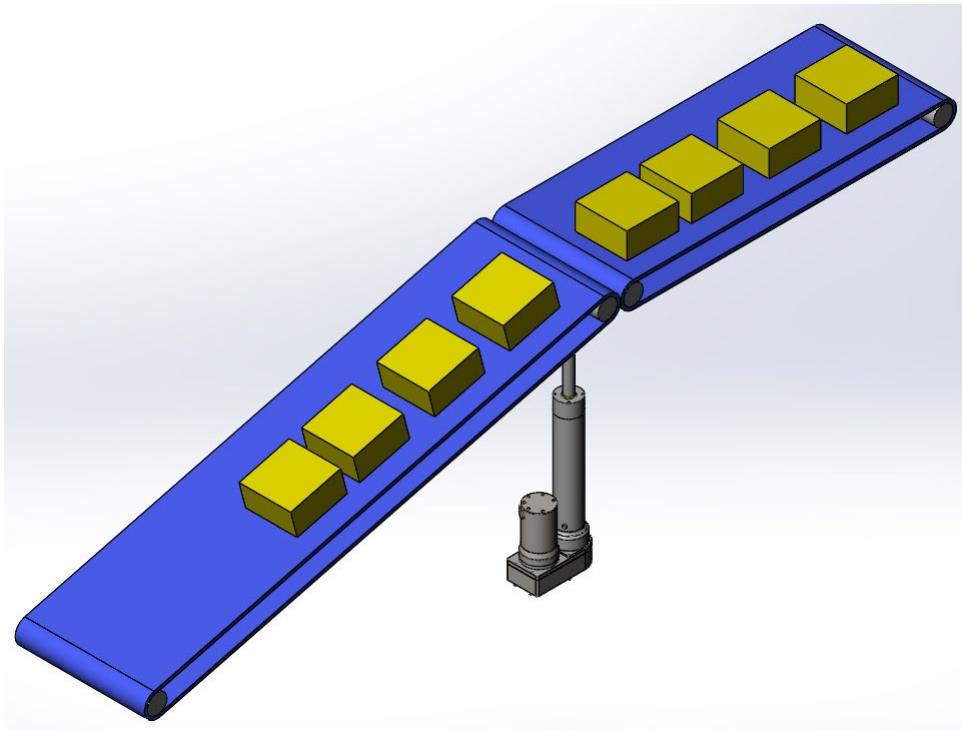
For non-product contact applications where actuator and/or mounting hardware is used away from product or product contact zone:

When used in applications where the actuator and/or mounting hardware does not come in contact with product, the ERD22, ERD25 & ERD30 actuators may be used without the HYG1 mounting bracket when used with a rear clevis, trunnion, front flange, foot or customer supplied mounts.

Non-Product Contact in Horizontal Applications—HYG1 Option Not Required



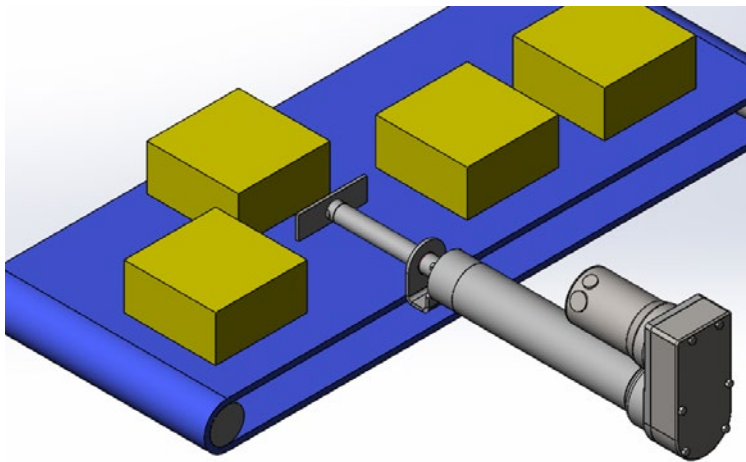
Non-Product Contact in Vertical Applications—HYG1 Option Not Required



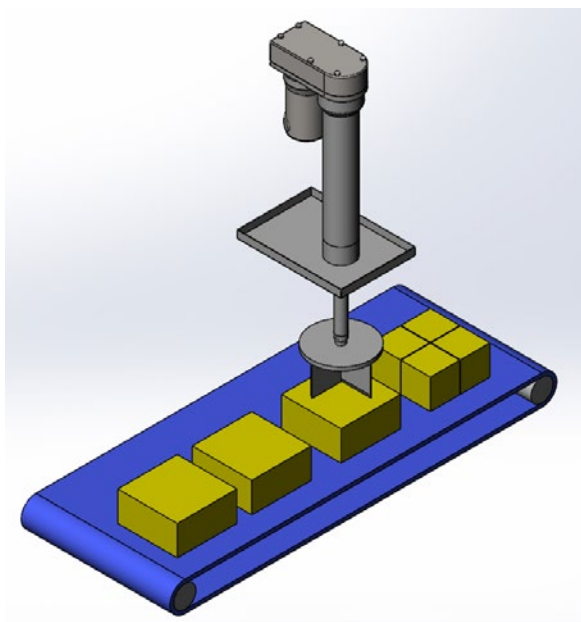
For product contact applications where actuator and/or mounting hardware is used near product or in product contact zone with thrust rod and rod end of actuator on or over product and/or product contact zone:

When used in horizontal applications ERD22, ERD25 & ERD30 actuators must be used with the HYG1 mounting bracket with the PTFE wiper. Acceptable actuator mounts include Tolomatic rear clevis, trunnion, front flange, or foot mounts. In vertical applications, the HYG1 option does not provide the necessary protection from contaminants and protective shielding is required.

Product or Splash Contact in Horizontal Applications—HYG1 Option is Required



Product or Splash Contact in Vertical Applications—HYG1 Option is Insufficient and Must Provide Shielding to Catch Contaminants



4. ERD25 & ERD30 USDA Equipment Acceptance Certificate (Dairy)

**UNITED STATES DEPARTMENT OF AGRICULTURE
MARKETING AND REGULATORY PROGRAMS
AGRICULTURAL MARKETING SERVICE**

EQUIPMENT ACCEPTANCE CERTIFICATE

Firm: Tolomatic
3800 County Road 116
Hamel, Minnesota 55340-9360

Model Designation: Linear Actuator
ERD25 and ERD30

Actuators are supplied without motors.

<u>October 09, 2013</u> Date of Issuance	 U.S. Department of Agriculture Marketing and Regulatory Programs Agricultural Marketing Service Dairy Grading Branch 1400 Independence Ave., SW Washington, DC 20250-0230
<u>October 08, 2018</u> Date of Expiration	

The issuance of this form is based on U.S. Department of Agriculture, Dairy Grading Branch, Equipment Design Review Section, evaluation of the equipment listed above for compliance with:

USDA Dairy Equipment Guidelines

This form does not limit USDA's responsibility to take appropriate action in cases in which evidence of non-compliance, improper maintenance, or non-sanitary conditions have been observed.



United States Department of Agriculture



DA-161 (09-04) Destroy previous editions.

5. ERD25 & ERD30 USDA Equipment Acceptance Certificate

UNITED STATES DEPARTMENT OF AGRICULTURE MARKETING AND REGULATORY PROGRAMS AGRICULTURAL MARKETING SERVICE	
EQUIPMENT ACCEPTANCE CERTIFICATE	
Firm:	Tolomatic 3800 County Road 116 Hamel, Minnesota 55340-9360
Model Designation:	Linear Actuator ERD25 and ERD30
	Actuators are supplied without motors.
<u>October 09, 2013</u> Date of Issuance	 U.S. Department of Agriculture Marketing and Regulatory Programs Agricultural Marketing Service Dairy Grading Branch 1400 Independence Ave., SW Washington, DC 20250-0230
<u>October 08, 2018</u> Date of Expiration	
<p>The issuance of this form is based on U.S. Department of Agriculture, Dairy Grading Branch, Equipment Design Review Section, evaluation of the equipment listed above for compliance with:</p> <p>NSF/ANIS/3-A 14159-1-2010</p> <p>This form does not limit USDA's responsibility to take appropriate action in cases in which evidence of non-compliance, improper maintenance, or non-sanitary conditions have been observed.</p>	
 United States Department of Agriculture	
DA-161 (09-04) Destroy previous editions.	

6. ERD22 USDA Equipment Acceptance Certificate

UNITED STATES DEPARTMENT OF AGRICULTURE MARKETING AND REGULATORY PROGRAMS AGRICULTURAL MARKETING SERVICE	
EQUIPMENT ACCEPTANCE CERTIFICATE	
Firm:	Tolomatic 3800 County Road 116 Hamel, Minnesota 55340-9360
Model Designation:	Linear Actuator ERD22
Actuators are supplied without motors.	
<u>February 12, 2015</u> Date of Issuance	 U.S. Department of Agriculture Marketing and Regulatory Programs Agricultural Marketing Service Dairy Grading Branch 1400 Independence Ave., SW Washington, DC 20250-0230
<u>February 11, 2020</u> Date of Expiration	
<p>The issuance of this form is based on U.S. Department of Agriculture, Dairy Grading Branch, Equipment Design Review Section, evaluation of the equipment listed above for compliance with:</p> <p>USDA Dairy Equipment Guidelines</p> <p>This form does not limit USDA's responsibility to take appropriate action in cases in which evidence of non-compliance, improper maintenance, or non-sanitary conditions have been observed.</p>	
 United States Department of Agriculture	
DA-161 (09-04) Destroy previous editions.	