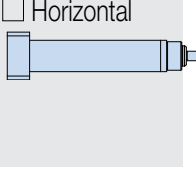
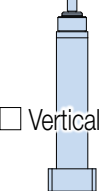
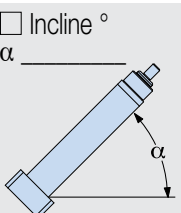
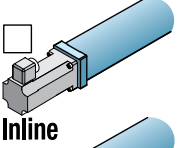
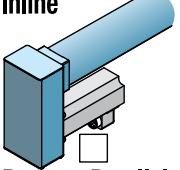


APPLICATION DATA WORKSHEET

Fill in known data. Not all information is required for all applications



ORIENTATION

Horizontal 
 Vertical 
 Incline α 
 Inline 
 Reverse Parallel 

Load supported by actuator OR Load supported by other mechanism

MOVE PROFILE

EXTEND

Move Distance _____

inch (US conventional) millimeters (Metric)

Move Time _____ **sec**

Max. Speed _____

in/sec mm/sec

Dwell Time After Move _____ **sec**

STROKE LENGTH

inch (US conventional) millimeters (Metric)

PRECISION

Repeatability _____

inch millimeters

RETRACT

Move Distance _____

inch millimeters

Move Time _____ **sec**

Max. Speed _____

in/sec mm/sec

Dwell Time After Move _____ **sec**

OPERATING ENVIRONMENT

Temperature, Contamination, Water, etc.

NO. OF CYCLES

per minute per hour

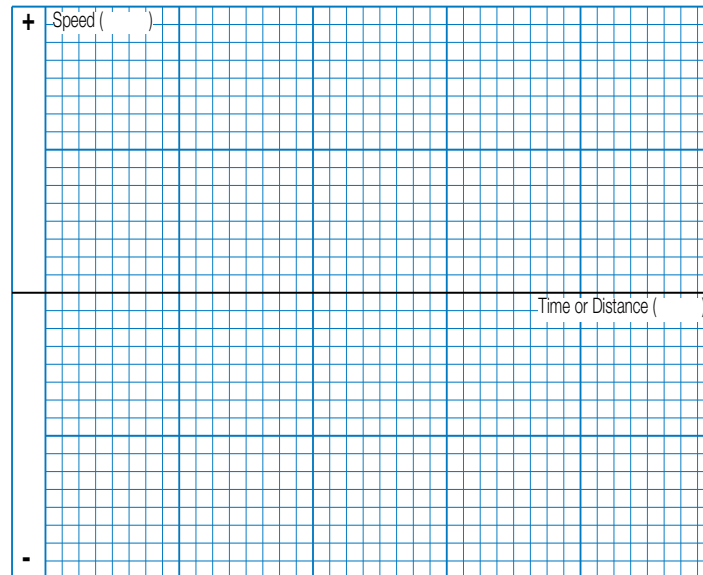
HOLD POSITION?

Required Not Required

After Move During Power Loss

NOTE: If load or force changes during cycle use the highest numbers for calculations

MOTION PROFILE



Graph your most demanding cycle, including accel/decel, velocity and dwell times. You may also want to indicate load variations and I/O changes during the cycle. Label axes with proper scale and units.

EXTEND

LOAD

lb. (U.S. Standard) kg. (Metric)

FORCE

lbf. (U.S. Standard) N (Metric)

RETRACT

LOAD

lb. (U.S. Standard) kg. (Metric)

FORCE

lbf. (U.S. Standard) N (Metric)

CONTACT INFORMATION

Name, Phone, Email _____

Co. Name, Etc. _____



USE THE TOLOMATIC SIZING AND SELECTION SOFTWARE AVAILABLE ON-LINE AT www.tolomatic.com OR... CALL TOLOMATIC AT 1-800-328-2174. We will provide any assistance needed to determine the proper actuator for the job.

FAX 1-763-478-8080

EMAIL help@tolomatic.com