

**EXTREME FORCE, HYDRAULIC CLASS ACTUATORS**

**RSX**  
**OIL COOLED**

**Challenge: High force applications that are above standard RSX range**

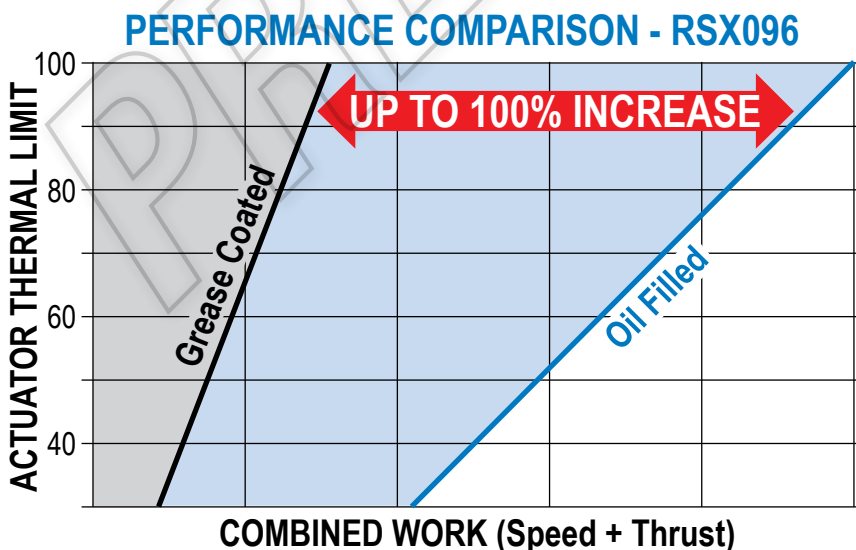
- Some applications require higher duty cycles and forces than can be supported by traditional greases and lubrication intervals. Proper operation and maintenance is critical to long life.
- Consistent service life requires a careful balance of the amount of work that needs to be done and maintaining optimal internal screw & nut temperatures.
- External cooling systems should be avoided if possible due to:
  - > Costly and difficult to implement
  - > Takes up more space
  - > Prone to leaks and additional maintenance
  - > Challenging to complete without sophisticated and complex instrumentation



**Oil Cooled Option Available in 3 Sizes**

**Solution: RSX Oil Cooled Actuator**

- Eliminates the need for frequent lubrication and maintenance schedules while also doubling the continuous capabilities of the actuator
- The oil bath provides more efficient heat transfer from the load carrying components



Please contact Tolomatic for performance of other oil cooled RSX sizes

**What does Oil Cooled mean?**

An unpressurized synthetic oil bath around the screw and nut replaces the standard (extreme temperature and pressure rated) grease. The oil bath efficiently reduces internal temperatures while simultaneously providing lubrication.

# RSX OIL COOLED

Extended Catalog Product

## EXTREME FORCE, HYDRAULIC CLASS ACTUATORS

- RSX actuators are an ideal choice for replacing hydraulic cylinders
- High force electric actuators with planetary roller screws are available for forces up to 50,000 lbf (222 kN)
- Designed for 100% duty cycle, rugged service and long life
- Leverages roller screw design to handle extreme forces in a power dense package

### ENDURANCE TECHNOLOGY<sup>SM</sup> A Tolomatic Design Principle

#### THRUST TUBE

- Steel thrust tube supports extremely high force capabilities
- Salt bath nitride treatment provides excellent corrosion resistance, surface hardness and is very resistant to adherence of potential contaminants

#### FIELD REPLACEABLE CARTRIDGE

One piece assembly designed for easy field replacement

#### PLANETARY ROLLER SCREWS

- Precision ground planetary roller screws
- High force with high dynamic load rating for long life
- High positional accuracy  
 $\pm 0.0102\text{mm}/300\text{mm}$   
( $\pm 0.0004"/\text{ft.}$ )

#### YOUR MOTOR HERE

Motors and gearboxes up to 215 mm motor frame size

#### OIL DRAIN & FILL PORTS

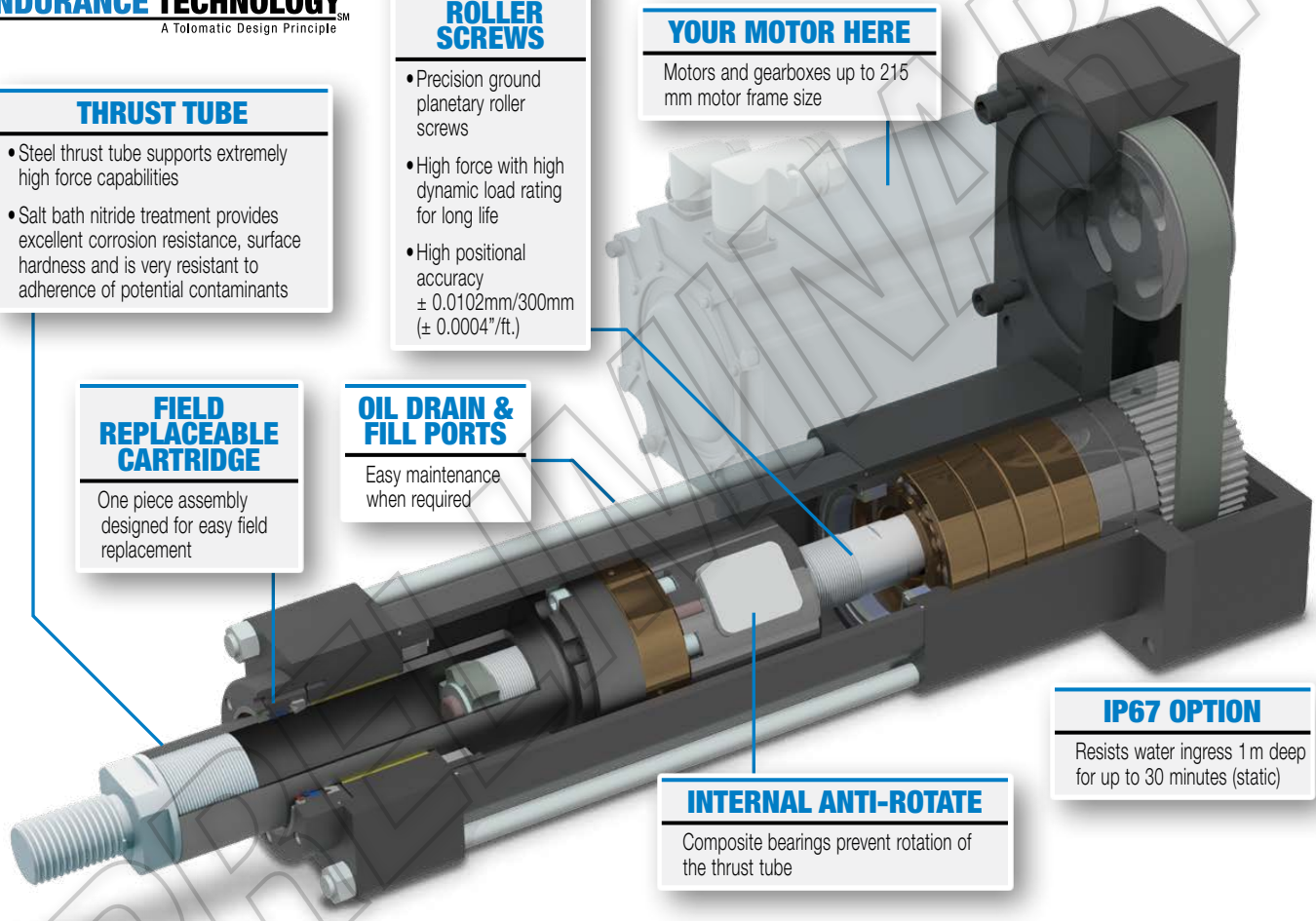
Easy maintenance when required

#### INTERNAL ANTI-ROTATE

Composite bearings prevent rotation of the thrust tube

#### IP67 OPTION

Resists water ingress 1 m deep for up to 30 minutes (static)



**Tolomatic**<sup>TM</sup>  
EXCELLENCE IN MOTION

COMPANY WITH  
QUALITY SYSTEM  
CERTIFIED BY DNV GL  
= ISO 9001 =  
Certified site: Hamel, MN

#### USA - Headquarters

**Tolomatic Inc.**  
3800 County Road 116  
Hamel, MN 55340, USA  
**Phone:** (763) 478-8000  
Toll-Free: **1-800-328-2174**  
sales@tolomatic.com  
[www.tolomatic.com](http://www.tolomatic.com)

#### MEXICO

**Centro de Servicio**  
Parque Tecnológico Innovación  
Int. 23, Lateral Estatal 431,  
Santiago de Querétaro,  
El Marqués, México, C.P. 76246  
**Phone:** +1 (763) 478-8000  
help@tolomatic.com

#### EUROPE

**Tolomatic Europe GmbH**  
Elisabethenstr. 20  
65428 Rüsselsheim  
Germany  
**Phone:** +49 6142 17604-0  
help@tolomatic.eu

#### CHINA

**Tolomatic Automation Products  
(Suzhou) Co. Ltd.**  
No. 60 Chuangye Street, Building 2  
Huqiu District, SND Suzhou  
Jiangsu 215011 - P.R. China  
**Phone:** +86 (512) 6750-8506  
TolomaticChina@tolomatic.com

All brand and product names are trademarks or registered trademarks of their respective owners. Information in this document is believed accurate at time of printing. However, Tolomatic assumes no responsibility for its use or for any errors

that may appear in this document. Tolomatic reserves the right to change the design or operation of the equipment described herein and any associated motion products without notice. Information in this document is subject to change without notice.

Visit [www.tolomatic.com](http://www.tolomatic.com) for the most up-to-date technical information