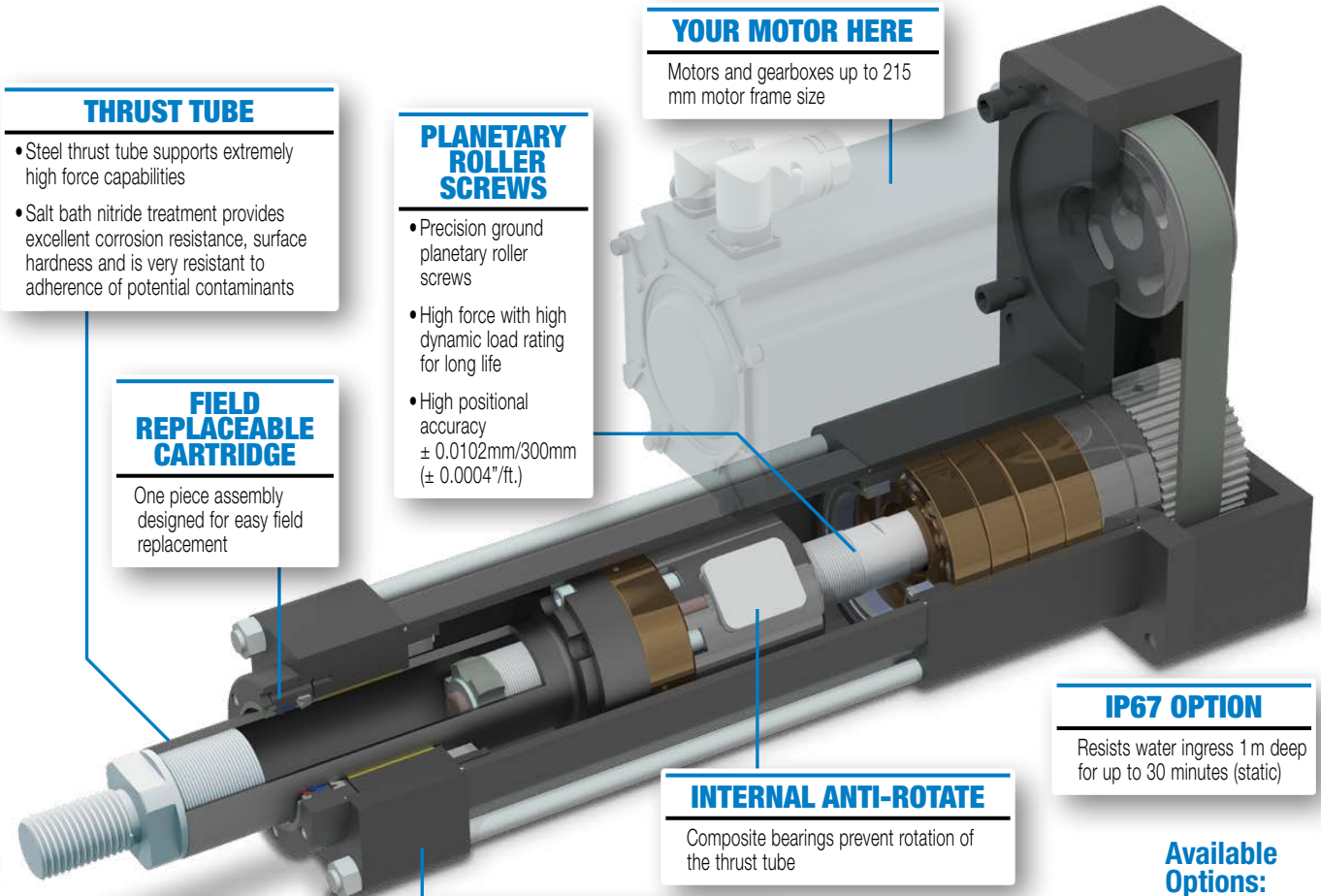


EXTREME FORCE, HYDRAULIC CLASS ELECTRIC ACTUATORS

RSX actuators are an ideal choice for replacing hydraulic cylinders. These high force electric actuators with planetary roller screws are available for forces up to 50,000 lbf (222.4 kN). Designed for 100% duty cycle, rugged service and long life.

RSX



THRUST TUBE

- Steel thrust tube supports extremely high force capabilities
- Salt bath nitride treatment provides excellent corrosion resistance, surface hardness and is very resistant to adherence of potential contaminants

FIELD REPLACEABLE CARTRIDGE

One piece assembly designed for easy field replacement

PLANETARY ROLLER SCREWS

- Precision ground planetary roller screws
- High force with high dynamic load rating for long life
- High positional accuracy $\pm 0.0102\text{mm}/300\text{mm}$ ($\pm 0.0004"/\text{ft.}$)

YOUR MOTOR HERE

Motors and gearboxes up to 215 mm motor frame size

IP67 OPTION

Resists water ingress 1 m deep for up to 30 minutes (static)

INTERNAL ANTI-ROTATE

Composite bearings prevent rotation of the thrust tube

HEAVY DUTY CONSTRUCTION

All external component are Type III hard-coat anodized aluminum or zinc plated steel for rugged use and corrosion resistance

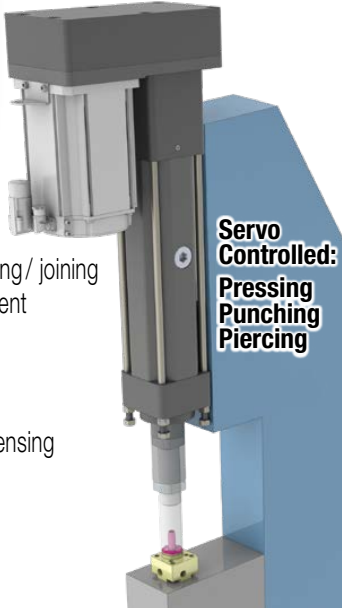
Available Options:

Mounting
 Mounting Plates;
 Front Flange;
 Trunnion Mount;
 Extended Tie Rods

Rod Ends
 Alignment Coupler;
 Rod Clevis

Sensors
 With tie-rod mounting bracket

White Paint & Stainless Steel
 For food grade applications



- Applications:**
- Assembly machinery
 - Automotive
 - Clamping
 - Converting
 - Cycle testing
 - Hydraulic replacement
 - Injection molding
 - Machine tools
 - Motion simulators
 - Piercing
 - Pressing
 - Punching
 - Riveting / fastening / joining
 - Sawmill equipment
 - Stamping
 - Test stands
 - Tube bending
 - Volumetric dispensing
 - Welding
 - Wire winding
 - and many more

HIGH FORCE, HYDRAULIC CLASS ELECTRIC ACTUATORS

Specifications

RSX

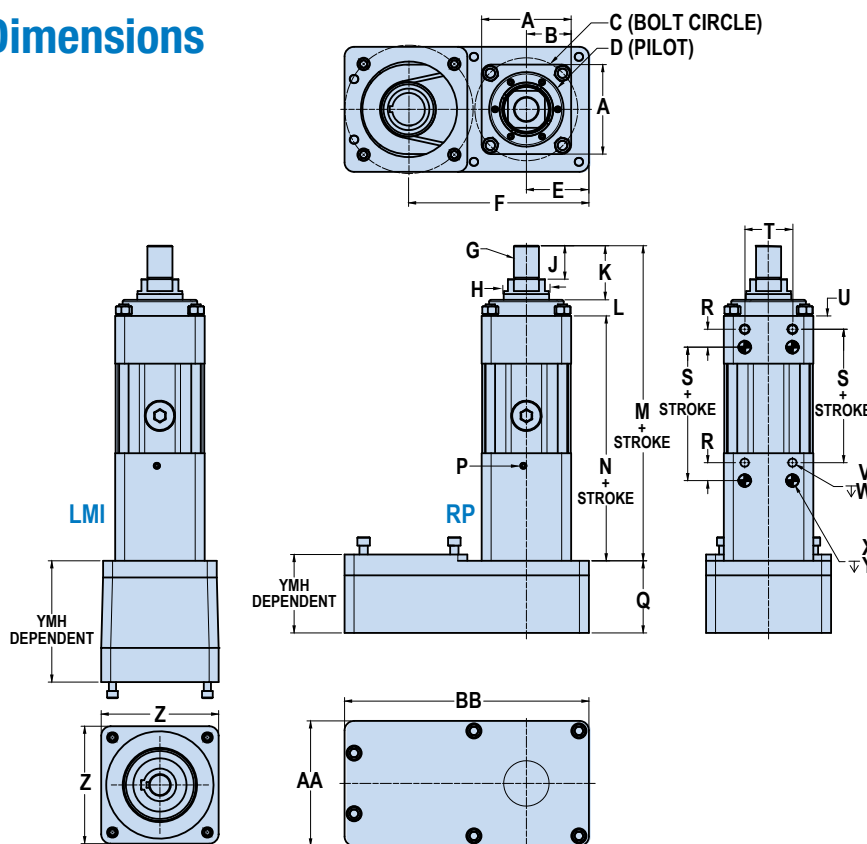
RSX SIZE	MIN. STROKE		*MAX. STROKE		SCREW CODE	SCREW LEAD	LEAD ACCURACY	BACK-LASH	MAX. FORCE	MAX. SPEED	DYNAMIC LOAD RATING
	mm	mm	mm	TRR							
080	75	890	820	RN10	10.00	0.01	0.030	80.07	701	173.1	
096	75	800	725	RN12	12.00	0.01	0.030	133.45†	759	269.3	
096P	75	450	—	RN12	12.00	0.01	0.030	177.93**	759	269.3	
128	75	665	555	RN10	10.00	0.01	0.030	222.41	500	442.7	
	in	in	in		turns/in	in/ft	in	lbf	in/sec	lbf	
080	2.95	35.03	32.28	RN10	2.54	0.0004	0.0012	18,000	27.6	38,914	
096	2.95	31.49	28.54	RN12	2.12	0.0004	0.0012	30,000†	29.9	60,541	
096P	2.95	17.71	—	RN12	2.12	0.0004	0.0012	40,000**	29.9	60,541	
128	2.95	26.18	21.85	RN10	2.54	0.0004	0.0012	50,000	19.7	99,519	

*Consult Tolomatic for longer strokes. TRR = Trunion option †Requires HT1 Option
 **Max. force only in extend (retract force 15,000lbf; 66.7 kN)

	080	096	128
A	135.0	150.0	220.0
B	67.5	75.0	110.0
C	150.00	171.0	250.0
D	110.00 (+0.00) (-0.03)	125.00 (+0.00) (-0.03)	175.0 (+0.00) (-0.03)
E	88.9	104.8	145.5
RP1			
F	272.9	304.8	425.6
RP2			
	271.1	302.3	427.2
STANDARD			
G	M36 x 3.0-6g	M42 x 4.5-6g	M64 x 3.0-6g
H_o	63.388 / 63.449	76.093 / 76.149	101.488 / 101.549
THREAD LENGTH			
J	60.0	69.9	105.0
FULL RETRACT			
K	95.0	104.8	165.1
L	27.0	27.0	33.0
M	474.7	601.1	803.9
N	352.7	469.2	605.8
P	RC 1/8 -28 X 38.1 DP (Plugged)	RC 1/8 -28 X 38.1 DP (Plugged)	RC 1/4 -19 X 38.1 DP (Plugged)
Q	96.0	124.7	184.2
R	30.0	30.0	40.0
S	210.9	282.4	369.0
T	70.0	80.0	115.0
U	18.0	22.3	35.0
V	M12 x 1.75-6H	M16 x 2.0-6H	M20 x 2.5-6H
W	∇ 18.0 (4)	∇ 20.0 (4)	∇ 20.0 (4)
X	16.025 16.012	20.025 20.013	20.025 20.013
Y	∇ 15.0 (4)	∇ 15.0 (4)	∇ 20.0 (4)
Z	152.4	196.9	287.8
AA	177.8	209.6	291.1
BB	355.6	409.6	589.8

Dimensions in millimeters

Dimensions



Tolomatic™

EXCELLENCE IN MOTION

COMPANY WITH
 QUALITY SYSTEM
 CERTIFIED BY DNV GL
 = ISO 9001 =
 Certified site: Hamel, MN

USA - Headquarters
Tolomatic Inc.
 3800 County Road 116
 Hamel, MN 55340, USA
Phone: (763) 478-8000
 Toll-Free: 1-800-328-2174
 sales@tolomatic.com
 www.tolomatic.com

MEXICO
Centro de Servicio
 Parque Tecnológico Innovación
 Int. 23, Lateral Estatal 431,
 Santiago de Querétaro,
 El Marqués, México, C.P. 76246
Phone: +1 (763) 478-8000
 help@tolomatic.com

EUROPE
Tolomatic Europe GmbH
 Elisabethenstr. 20
 65428 Rüsselsheim
 Germany
Phone: +49 6142 17604-0
 help@tolomatic.eu

CHINA
**Tolomatic Automation Products
 (Suzhou) Co. Ltd.**
 No. 60 Chuangye Street, Building 2
 Huqiu District, SND Suzhou
 Jiangsu 215011 - P.R. China
Phone: +86 (512) 6750-8506
 ServoWeldChina@tolomatic.com

All brand and product names are trademarks or registered trademarks of their respective owners. Information in this document is believed accurate at time of printing. However, Tolomatic assumes no responsibility for its use or for any errors

that may appear in this document. Tolomatic reserves the right to change the design or operation of the equipment described herein and any associated motion products without notice. Information in this document is subject to change without notice.

Visit www.tolomatic.com for the most up-to-date technical information