

Cable Cylinder

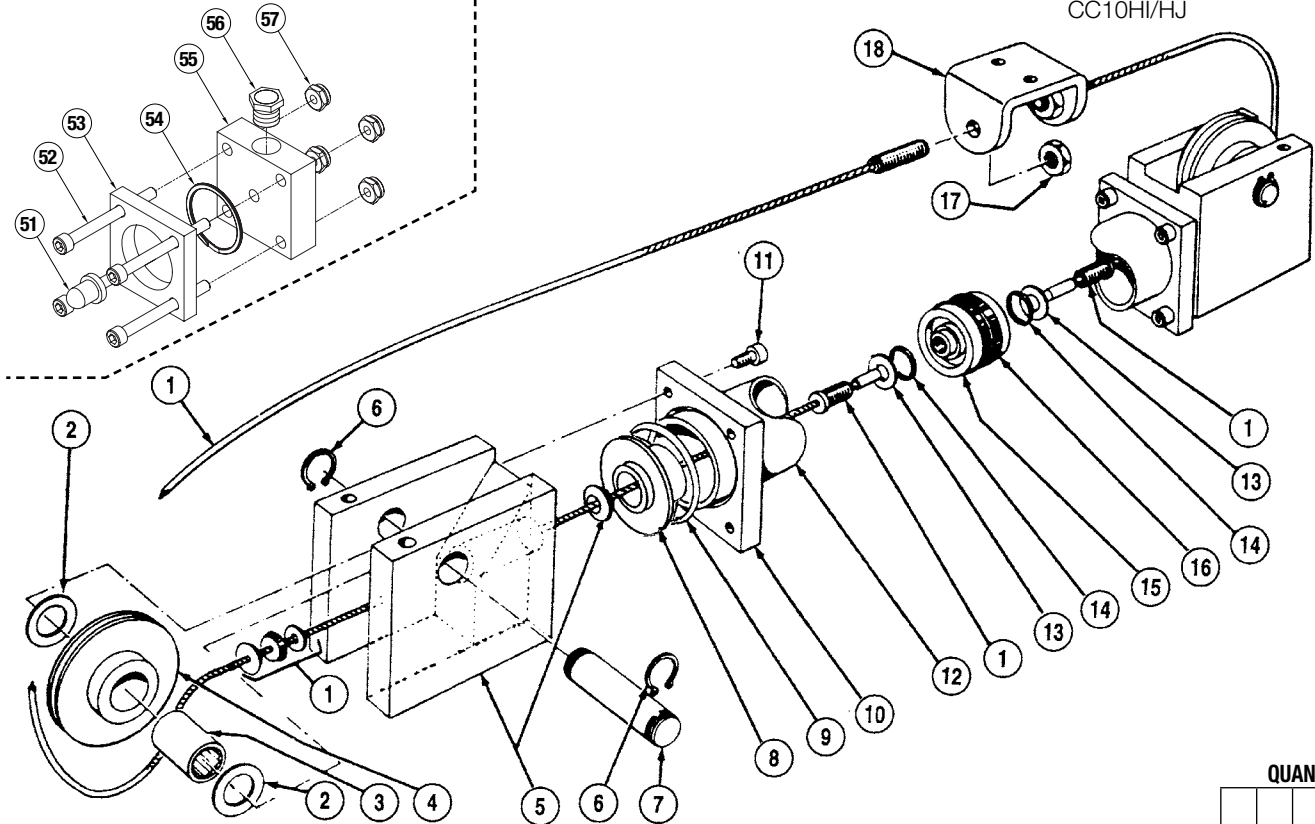
3/4" and 1" Bores

1001-4001_08

REPLACED #1001-0203, #1001-0205, #1001-0212, #1001-0235, #1001-0237, #1001-0238 & #1900-0200

MODELS: CC07 CC10 SA07 SA10
 CCM07 CCS10 SAM07 SAM10
 CC07HI/HJ CCM10 SAS10
 CC10HI/HJ

See page 3 for Single Action (SA) Option



NOTE: Items #3 and 4 are available only as a Pulley Assembly. Order the following:
 CC07, CC10 1050-9005
 Part Numbers noted for Repair Kits and Cable Assemblies are for standard cylinders only. Always make reference to the complete configuration code on your cylinder when ordering replacement items, also specify the stroke length.

ITEM	PART NO. OR CONFIG. CODE	DESCRIPTION	QUANTITY				
			CC07	CCM07	CC10	CCS10	CCM10
2,3 1.	CACC07SK_	CABLE ASSEMBLY	2				
	CACCM07SK_	CABLE ASSEMBLY, W/MAGNET OPTION		2			
	CACC10SK_	CABLE ASSEMBLY			2	2	
	CACCM10SK_	CABLE ASSEMBLY, W/MAGNET OPTION					2
2.	0100-1306	WASHER THRUST	4	4	4	4	4
3.	1001-1055	PULLEY BEARING	2	2	2	2	2
4.	1050-1051	PULLEY	2	2	2	2	2
5.	1001-9104	HEAD ASSEMBLY – SINGLE-PORT	2	2	2	2	2
	1001-9106	HEAD ASSEMBLY– THREE-PORT	2	2	2	2	2
6.	1001-1056	EXTERNAL RETAINING RING	4	4	4	4	4
7.	1001-1052	PULLEY SHAFT	2	2	2	2	2
3 8.	1001-1276	CUSHION SPEAR, BUNA-N MATERIAL	2	2	2	2	2
	1001-1044	EXTERNAL RETAINING RING			2	2	2
10.	1075-1012	CLAMP PLATE	2	2			
	1001-1041	CLAMP PLATE			2	2	2
11.	1085-1075	SOCKET HEAD CAP SCREW	8	8	8	8	8

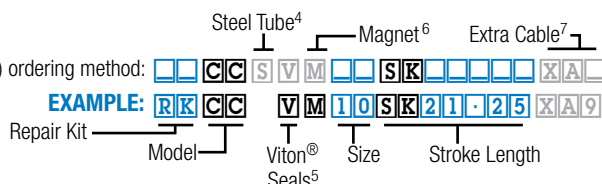
³ Repair Kit (RK) includes: Piston U-Cups, Cushion Spears, O-Rings, Cable Assembly

⁴ **V** refers to optional seals of Viton® material.

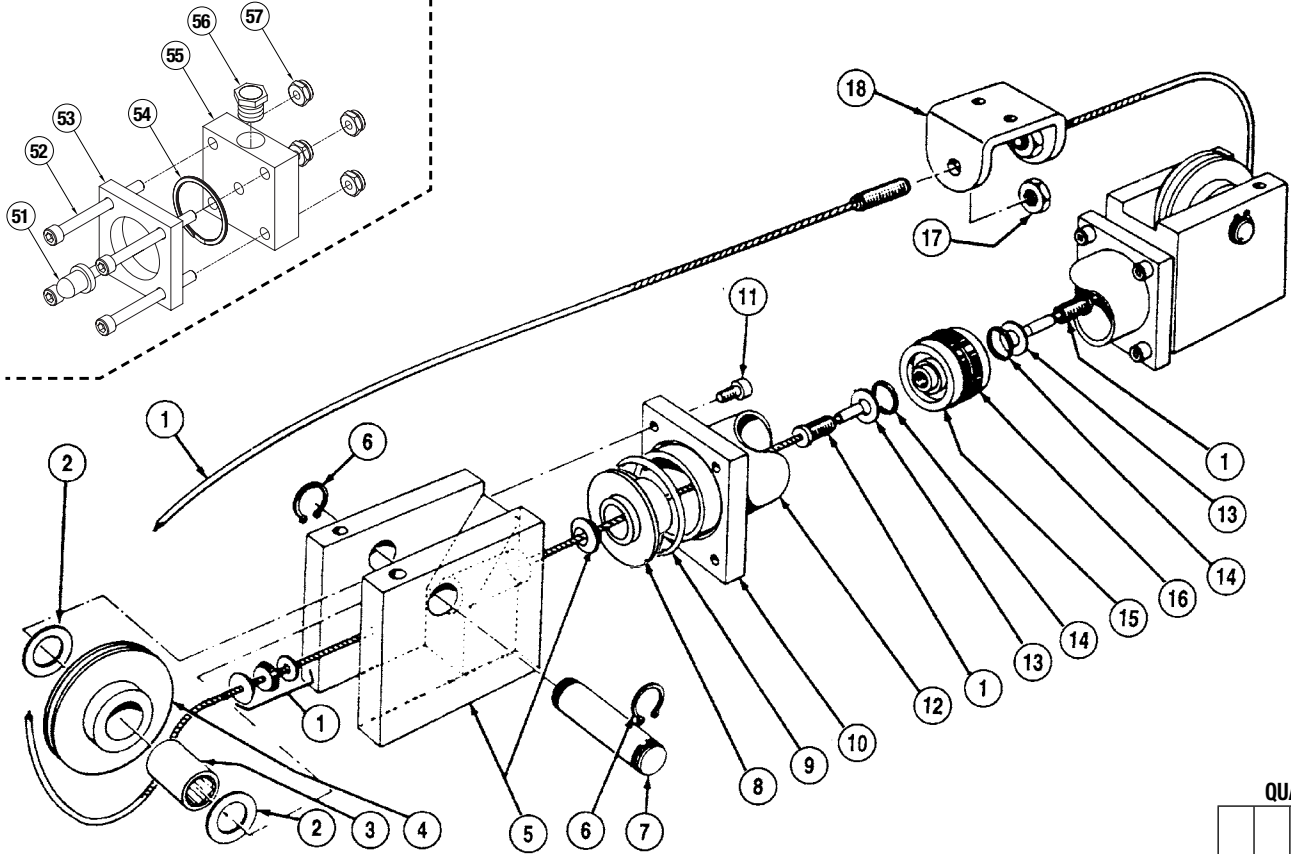
⁵ **M** is for optional switch magnet, which is required for switches to function. Since the Magnet Option adds length to the piston and the tube length, it must be included when ordering.

⁶ **XA** & **XB** are for extra cable length [include addition cable required measured in decimal inches]

² Repair Kit (RK) & Cable Assembly (CA) ordering method:



See page 3 for Single Action (SA) Option

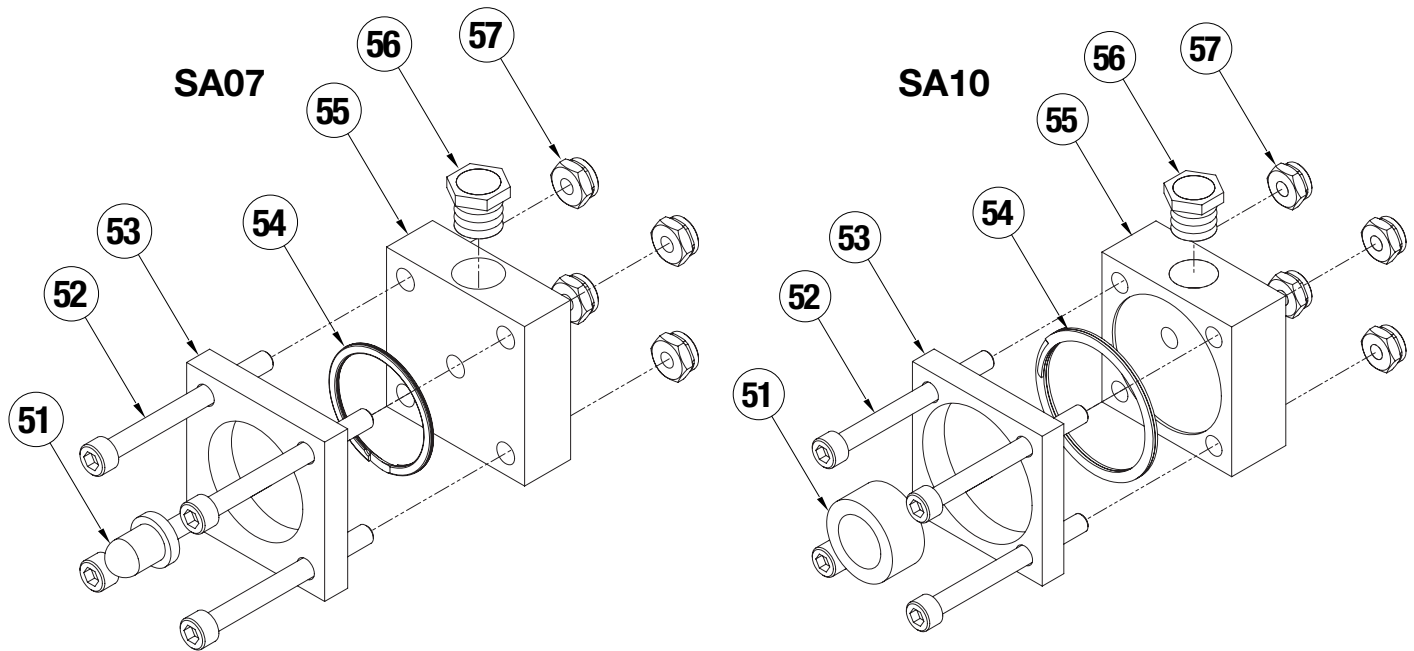


ITEM	PART NO. OR CONFIG. CODE	DESCRIPTION	QUANTITY				
			CC07	CCM07	CC10	CCS10	CCM10
12.	RTBCC07SK_	ALUMINUM TUBE	AR				
	RTBCCM07SK_	ALUMINUM TUBE, W/MAGNET OPTION		AR			
	RTBCC10SK_	ALUMINUM TUBE			AR		
	RTBCCM10SK_	ALUMINUM TUBE, W/MAGNET OPTION					AR
	RTBCCS10SK_	STEEL TUBE				AR	
13.	1001-1013	PISTON WASHER	2	2	2	2	2
14.	1001-1021	O-RING, BUNA-N MATERIAL	2	2	2	2	2
	0701-1043	O-RING, VITON® MATERIAL	2	2	2	2	2
15.	1075-1017	PISTON	1				
	1075-1020	PISTON		1			
	1001-1040	PISTON			1	1	
	1001-1201	PISTON					1
16.	1075-1016	PISTON U-CUP, BUNA-N MATERIAL	2	2	2		
	1075-1025	PISTON U-CUP, VITON® MATERIAL	2	2	2		
	1001-1020	PISTON U-CUP, BUNA-N MATERIAL				2	2
	1001-1119	PISTON U-CUP, VITON® MATERIAL				2	2
17.	1001-1058	LOCK NUT	2	2	2	2	2
18.	1001-1057	CLEVIS (BRACKET)	1	1	1	1	1

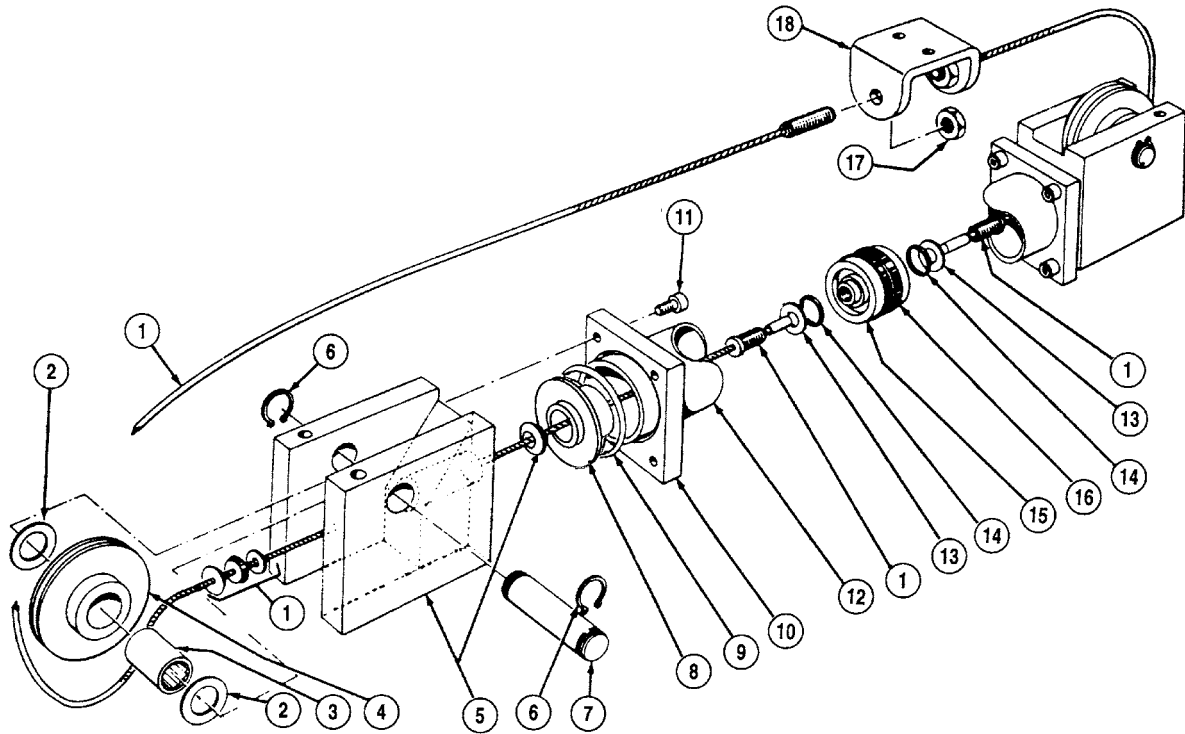
Tube ——— Steel Tube⁴ ——— Magnet⁶ ——— Extra Cable⁷ ———
¹ Replacement Tube ordering method: **RTBCC** **S** **V** **M** **□** **□** **SK** **□** **□** **□** **□** **X** **A** **□**
EXAMPLE: **RTBCC** **V** **M** **10** **SK** **21-25** **X** **A** **9**
 Repair Kit (RK) ordering method: **RKCC** **S** **V** **M** **□** **□** **SK** **□** **□** **□** **□** **X** **A** **□**
EXAMPLE: **RKCC** **V** **M** **10** **SK** **21-25** **X** **A** **9**
 Repair Kit ——— Model ——— Viton® Seals⁵ ——— Size ——— Stroke Length

³ Repair Kit (RK) includes: Piston U-Cups, Cushion Spears, O-Rings, Cable Assembly
⁴ **V** refers to optional seals of Viton® material.
⁵ **M** is for optional switch magnet, which is required for switches to function. Since the Magnet Option adds length to the piston and the tube length, it must be included when ordering.
⁶ **X****A** & **X****B** are for extra cable length [include addition cable required measured in decimal inches]

Single Action Option



ITEM	PART NO.		DESCRIPTION	QTY
	SA07	SA10		
51.	1075-1037	1001-1082	RUBBER BUMPER	1
52.	2501-1113	2501-1113	END CAP FASTENER	4
53.	1075-1012	1001-1041	CLAMP PLATE	1
54.	1075-1015	1001-1044	RETENTION RING	1
55.	1076-1059	1001-1278	END CAP	1
56.	0768-1022	0768-1022	BREATHER	1
57.	1080-1058	1080-1058	LOCK NUT	4



Installation

When unpacking a Tolomatic cable cylinder, BE EXTRA CAREFUL NOT TO SCRATCH OR MAR THE NYLON COVERING ON THE CABLE. The cylinder may be mounted using the bolt holes in the head. When attaching the cable bracket to the driven mechanism, be sure it is in perfect alignment and that it does not deflect the cable to the side. Misalignment can cause excessive seal wear.

Pretensioning and proof-loading instructions: All double-acting cable cylinders are shipped without being pretensioned. They must be pretensioned after mounting to insure maximum service life of the device.

There are two types of stretch in cable— constructional and elastic. The constructional stretch is removed by proof-loading of the cable. The elastic stretch is removed by proper pretensioning of the cable. Proof-loading of cables (for cylinders without Auto Tensioners)

1. Tighten the bracket terminal lock nuts equally with a torque wrench to torque requirements listed in Table A.
2. Let set for 30 seconds.
3. Loosen lock nuts to remove tension. (But leave them tight enough to eliminate any slack.)
4. Follow Pretensioning Instructions.

TABLE A: TORQUE TO PROOF-LOAD THE CABLE	
MODEL	REQUIRED TORQUE
CC07, CC10	15 INCH-POUNDS (1.69 NEWTON-METERS)

Pretensioning of cables

1. Block the load some distance from the end of travel to keep cylinder from bottoming.
2. Apply pressure that is 15-20 percent higher than actual load pressure needed to move the load.

NOTE: Load pressure is defined as the actual pressure required to move the load. When the load is stopped externally before the piston bottoms, the relief valve or regulator setting becomes the load pressure.

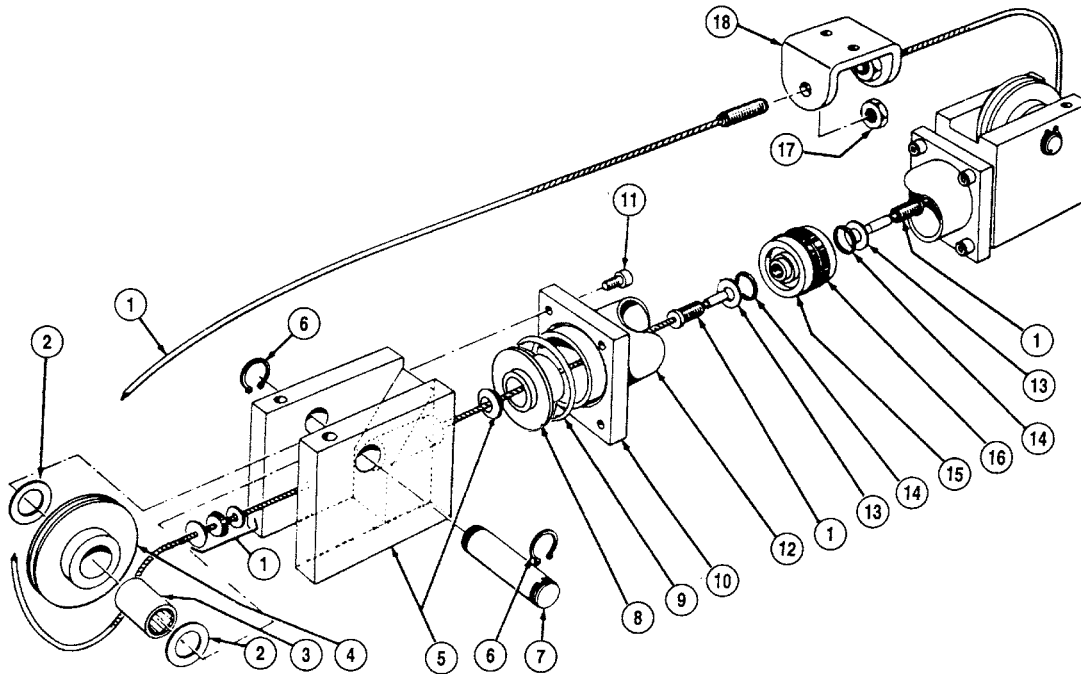
When pressurized, one cable becomes tight and the other becomes slack. Manually adjust out the slack. Release the pressure. Block the load on the opposite side and pressurize the other port. Repeat the manual adjustment on the other cable. Release pressure and remove blocks. Return the regulator or relief valve to the original load pressure.

The cylinder is now pretensioned. Additional manual adjustment should not be required. It is suggested however, that the cables be checked periodically.

Alternate Method: If the load cannot be blocked for cable pretensioning as stated above, tighten the bracket terminal lock nuts with a torque wrench to total pretensioning torque as stated in Table B.

TABLE B: TORQUE FOR UNBLOCKABLE LOADS					
MODEL	PRETENSIONING TORQUE	+	STARTING TORQUE OF TERMINAL NUTS	=	TOTAL PRETENSIONING TORQUE
CC07 & CC10	2.5 IN.-LBS. .282 N-M	+	10.0 IN.-LBS. 1.130 N-M	=	12.5 IN.-LBS. 1.412 N-M

NOTE: For cylinders with Auto Tensioners, the cables must be proof-loaded and pretensioned before pressure is applied to the AT unit.



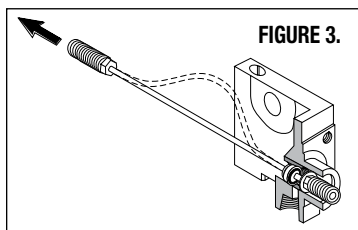
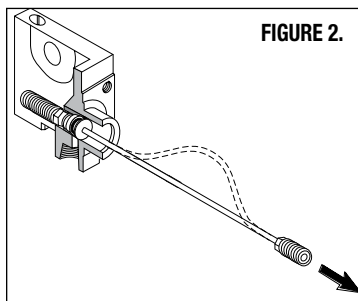
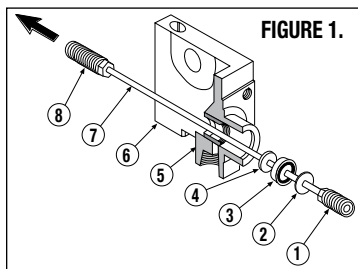
TO REBUILD THE CYLINDER

1. Remove cable cylinder from machinery.
2. Disconnect Cable (1) from the Clevis (18) and remove Pulleys (4) on both ends of the cylinder.
3. Remove one Head (5) from cylinder by removing the four Cap Screws (11).
4. Pull Piston (15) towards the open tube end and remove from Tube (12).
5. Disconnect Cable Assembly (1) from Piston (15) according to instructions listed under Snap In/Out Cable Assembly instructions.
6. Install new U-cups (16) and O-rings (14) on Piston (15).
7. Being careful not to damage the cable, lubricate Gland Seals on the Cable Assembly (1) and reinstall according to Snap In/Out Cable Assembly Instructions below.
8. Push the Piston (15) back into Tube (12) by gently tucking in the U-cup (16) with a screwdriver or pencil. Mount head back on cylinder with Socket Head Cap Screws (11). Replace the Pulleys (4) and connect Cable Assembly (1) to clevis (15).
9. Operate cable cylinder back and forth by hand several times to be sure it is properly assembled before reconnecting air or hydraulic service.
10. Reinstall cable cylinder on machinery.

IMPORTANT NOTE: Apply (Blue) Loctite® #242 or equivalent to threaded cable terminal before connecting to the piston.

SNAP IN/OUT CABLE ASSEMBLY INSTRUCTIONS

Tolomatic cylinders with 1/2-, 3/4- and 1-inch bores are designed to allow assembly and disassembly of Cables from the heads without the use of tools. This eliminates the possibility of damaging the cable or seals as well as providing for quick repair times.



Disassembly:

1. Holding onto cylinder Head (6), pull Piston Terminal (1) until Bracket Terminal (8) is against Washer (4).
2. Put a small amount of slack in Cable (7) as shown in Figure 2.
3. Impart a “snap” action to Piston Terminal (1).
4. With the imparting “snap” action, Washer (2) will release allowing the removal of the complete cable assembly.

Reassembly:

1. Holding onto cylinder Head (6), string Bracket Terminal (8) through Gland (5) until Washer (4), U-cup (3) and Washer (2) are held flush against one another by Piston Terminal (1).
2. Put a small amount of slack in Cable (7) as shown in Figure 3.
3. Impart a “snap” action to Bracket Terminal (8).
4. With the imparting “snap” action, Washer (2) will snap into Gland (5).
5. Move the cable in the opposite direction as shown in Figure 3, to verify if Washer (2) is seated in Gland (5). If not, repeat steps 1-4.

MAINTENANCE

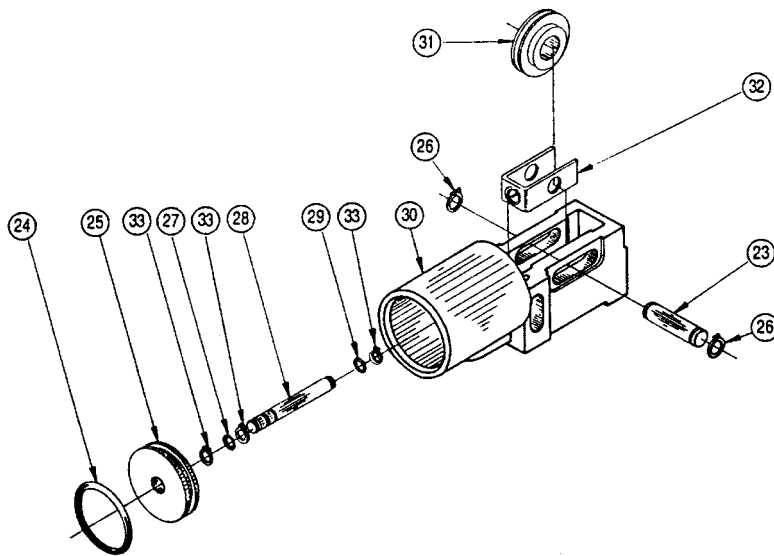
Keep the cylinder as clean as possible around pulleys, glands, etc. Pneumatic service should be adequately lubricated with SAE 10 or 20 grade non-detergent oil. Pulleys have permanently lubricated bearings and will require no maintenance. Check the cylinder's cables periodically to help prevent premature or unexpected failures.

Your Tolomatic Cable Cylinder will give you many cycles of trouble free service. However, should a leak occur, a rebuilding kit may be obtained which enables you to replace all the seals in a cylinder to return it to normal operating condition.

NOTE: Every Tolomatic Cable Cylinder has its stroke length indicated on the identification tag shipped with the cylinder. Refer to this stroke measurement when ordering replacement parts for the cable cylinder.

Should the tag be missing, measure the length of the cylinder including the heads at both ends. If there are no switches present on the cylinder, check the piston for a magnet to see if it is a Reed Switch model. If it is, consult the Tolomatic Cable Cylinder catalog dimensional drawings for "stroke-plus" length and subtract 1.62 inches for cylinders with 1/2-inch 3/4-inch and 1-inch bores and .375 inches for all larger bore Reed Switch models to determine the stroke length.

Auto Tensioner Option



AUTO TENSIONER OPTION

All cable cylinder models with Auto Tensioner units should be plumbed with a separate, non-fluctuating pressure source which is a set percentage of the actual operating pressure.

BORE SIZE (IN.)	% OF LOAD PRESSURE	BORE SIZE (IN.)	% OF LOAD PRESSURE
0.75	22%	3.00	54%
1.00	40%	4.00	96%
1.50	86%	5.00	75%
2.00	32%	6.00	57%
2.00 (500 PSI)	24%	8.00	102%
2.50	51%		

Auto Tensioner

ITEM	PART NO.	DESCRIPTION	QUANTITY				
			CC07	CCM07	CC10	CCS10	CCM10
23.	1001-1052	PULLEY SHAFT	1	1	1	1	1
24.	1001-1075	O-RING	1	1	1	1	1
25.	1001-1165	PISTON	1	1	1	1	1
26.	1001-1056	RETAINING RING	2	2	2	2	2
27.	0720-1003	O-RING	1	1	1	1	1
28.	1001-1213	PISTON ROD	1	1	1	1	1
29.	1001-1021	O-RING	1	1	1	1	1
30.	1001-9211	AT HEAD ASSY (SINGLE-PORT)	1	1	1	1	1
	1001-9235	1" AT HEAD ASSY (3-PORT)	1	1	1	1	1
31.	1050-9005	PULLEY ASSEMBLY	1	1	1	1	1
32.	1001-1214	TIE PLATE	1	1	1	1	1
33.	1001-1255	RETAINING RING	3	3	3	3	3

In the above table, load pressure is defined as the pressure required to move the load, NOT the regulated pressure (pneumatic) or the relief valve setting (hydraulic).

NOTE: If the load will be stopped mechanically prior to the piston bottoming, then the regulator pressure or the relief valve setting must be considered to be the load pressure.

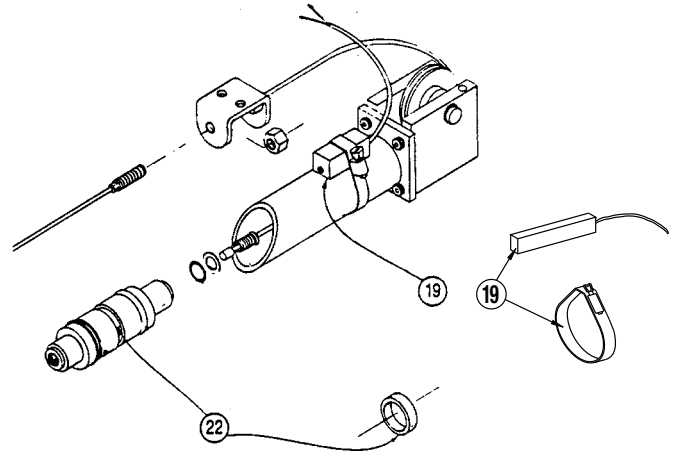
If the application is hydraulic, a pressure-reducing valve must be used to ensure a non-fluctuating pressure source to the tensioner(s) or the pressure source must be an independent circuit that will maintain the required differential.

When installing cable cylinder models with Auto tensioner units, take up the cable slack manually according to the pretensioning instructions under General Installation and Maintenance

REED SWITCHES

NOTE: Form A Reed Switches should not be used in TTL logic circuits. A voltage drop caused by the L.E.D. indicator will result. For applications where TTL circuits are used, please contact Tolomatic.

WARNING: An ohmmeter is recommended for testing Reed Switches. NEVER use an incandescent light bulb as a high current rush may damage the switch. Reed and TRIAC switches are only recommended for signalling position, not directly powering solenoids. For shifting a solenoid, a relay or resistor is recommended instead of the switch. Switch ratings must not be exceeded at any time



CONFIG. CODE ORDERING		
MOUNTING HARDWARE & FE CONN. INCLUDED		
ITEM	CODE	DESCRIPTION
19.	BT	SWITCH KIT, REED, FORM C, 5M
	BM	SWITCH KIT, REED, FORM C, QD MALE CONN.
	RT	SWITCH KIT, REED, FORM A, 5M
	RM	SWITCH KIT, REED, FORM A, QD MALE CONN.
	CT	SWITCH KIT, TRIAC, 5M
	CM	SWITCH KIT, TRIAC, QD MALE CONN.

NOTE: When ordered female connector & all mounting hardware is included

To Order Retrofit Kits

All Switch Kits come with 1 switch and mounting hardware.

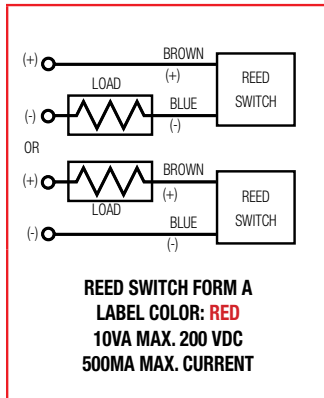
Retrofit ordering method: **S** **W** **□** **□** **□** **□**

EXAMPLE: **S** **W** **CC** **10** **RT**
 Switch Kit Model Size Switch Type Code

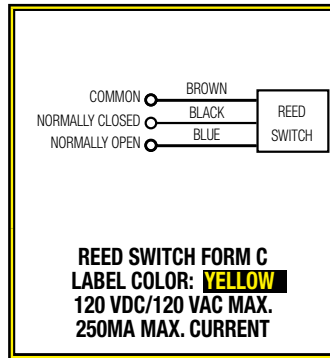
QUANTITY

ITEM	PART NO.	DESCRIPTION	CC07, SA07	CCM07, SAM07	CC10, SA10	CCS10, SAS10	CCM10, SAM10
22.	1075-1019	MAGNET		1			
	1001-1202	MAGNET					1

Universal Switch Wiring Diagrams and Label Color Coding

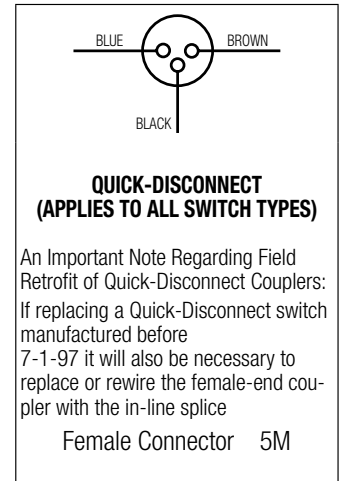
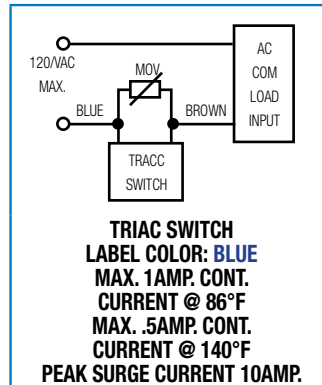


NOTE: The side of the switch with the groove indicates the sensing surface. This must face toward the magnet.



For complete Reed and TRIAC Switch Performance Data, refer to the [Tolomatic Pneumatic Products Catalog](#).

Loctite® is a registered trademark of the Loctite Corporation, www.loctite.com
 Viton® is a registered trademark of the E.I. Du Pont de Nemours Co., www.dupont.com



SWITCH TYPE CODE	
BT	FORM C REED SWITCH WITH 5-METER LEAD
BM	FORM C REED SWITCH WITH 5-METER LEAD AND QD
RT	FORM A REED SWITCH WITH 5-METER LEAD

SWITCH TYPE CODE	
RM	FORM A REED SWITCH WITH 5-METER LEAD AND QD
CT	TRIAC SWITCH WITH 5-METER LEAD
CM	TRIAC SWITCH WITH 5-METER LEAD AND QD



3800 County Road 116, Hamel, MN 55340 USA
 http://www.Tolomatic.com • Email: Help@Tolomatic.com
 Phone: (763) 478-8000 • Fax: (763) 478-8080 • Toll Free: 1-800-328-2174

COMPANY WITH
 QUALITY SYSTEM
 CERTIFIED BY DNV GL
 = ISO 9001 =

All brand and product names are trademarks or registered trademarks of their respective owners. Information in this document is believed accurate at time of printing. However, Tolomatic assumes no responsibility for its use or for any errors that may appear in this document. Tolomatic reserves the right to change the design or operation of the equipment described herein and any associated motion products without notice. Information in this document is subject to change without notice.