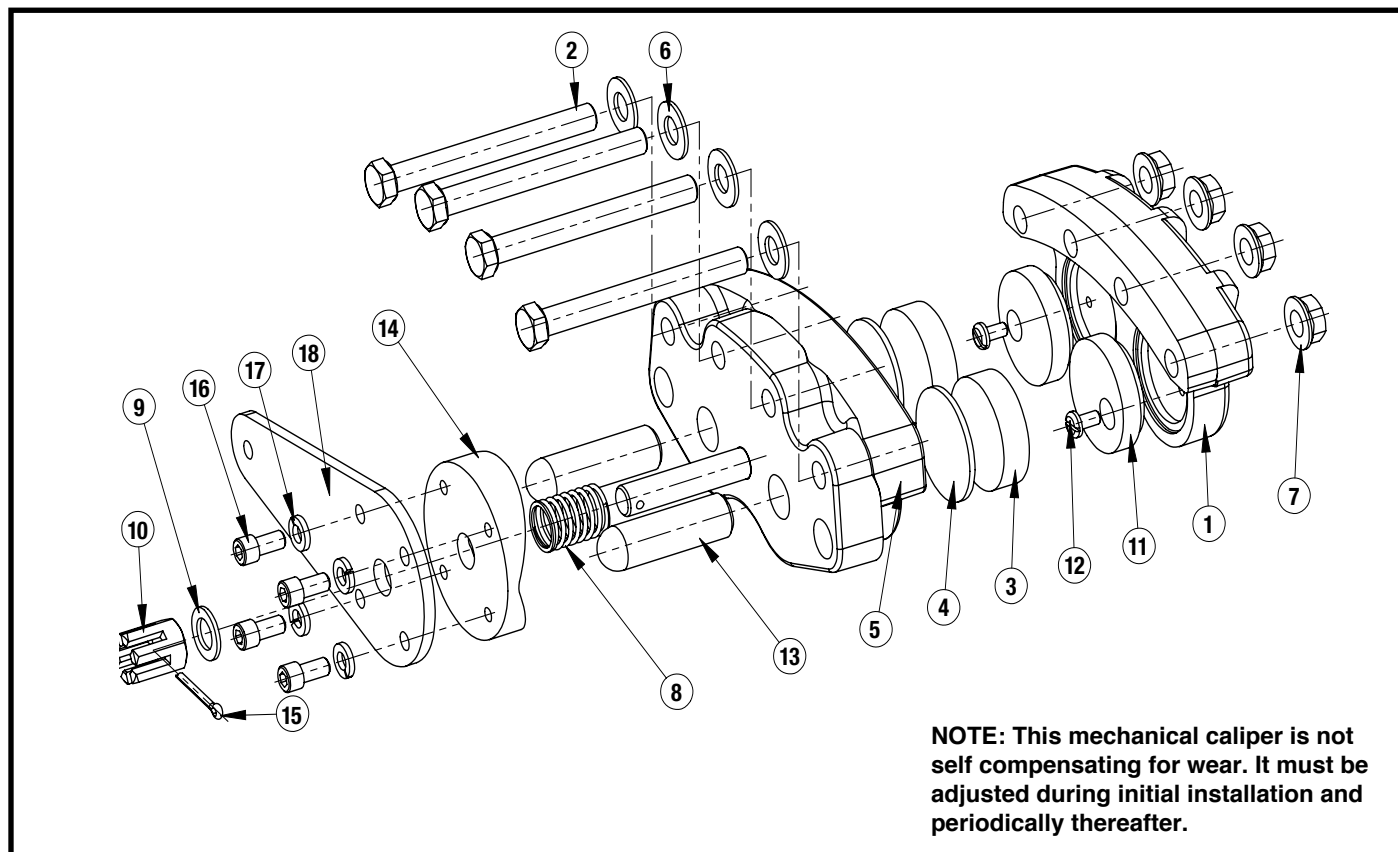


Mechanical Caliper Disc Brake

Models: ME220A SPL 0745-0049

ME220 SERIES

Die Cast Aluminum

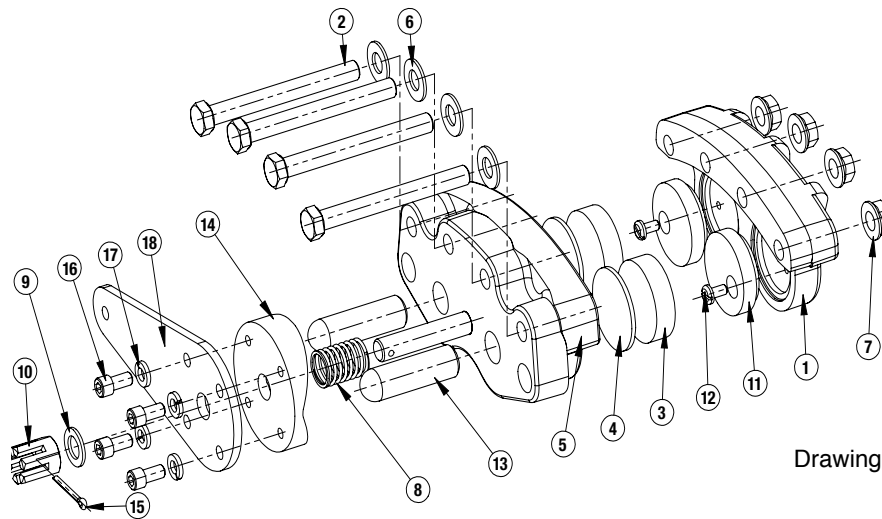


Parts List

Item	Part No.	Description	ME220A SPL 0745-0049
1	0733-1068	Dead Side	1
2	0732-1106	Hex Head Bolt	4
3	0720-1010	Blank Puck	2
4	0745-1009	Back-up Plate	2
5	0701-1020	Live Side Housing	1
6	0720-1011	Washer	4
7	0720-1008	Lock Nut	4
8	0745-1007	Compression Spring	1
9	0733-1149	Washer	1

Item	Part No.	Description	ME220A SPL 0745-0049
10	0745-1068	Castle Nut	1
11	0720-1024	Friction Puck	2
12	0720-1026	Screw	2
13	0701-1011	Actuating Pin	2
14	0745-1072	Lever Cam	1
15	0745-1069	Cotter Pin	1
16	0801-1251	SHCS, 1/2-20 x 0.5	4
17	0801-1261	Washer, Lock, Spr.	4
18	0745-1074	Lever, ME220, Spl.	1

NOTE: The Model Number letter suffixes mean the following: "A" – Designed for 5/32" thick disc, "SPL" Designed for special brake.



Drawing repeated for reference

INSTALLATION:

1. Mount the caliper disc brake unit with four (4) SAE grade 8 hex head bolts (#2). See the diagram below for proper dimensions. Tighten the nuts to 480 in-lbs (54.23 Nm).
2. When mounting the brake, be certain that the puck faces are parallel with the disc. Proper clearance between the pucks and disc is from a minimum of 0.010 in (0.25 mm) to a maximum of 0.031 in (0.79 mm) per side when new.
3. To prevent excessive wear, be certain the disc does not rub against the brake housing, or the pucks when they are in the retracted position.
4. The floating type disc must be free to move axially so the moveable pucks will push it against the fixed pucks, otherwise uneven wear will result.
5. Discs must be free of dirt and grease for maximum life and braking performance.
6. For best results, linkages, when attached, should form a 90° angle with Lever (#18).
7. **The maximum allowable lever force is 580 lbf (2,580 N).**

MAINTENANCE INSTRUCTIONS:

1. Disconnect the brake linkage from the Lever (#18).
2. Unbolt the brake from its mountings, and unbolt the four [4] Hex Head Bolts (#2) holding the unit together.
3. Unscrew the Pan Head Screws (#12) from the Friction Pucks (#11) and remove the worn Pucks from the Dead Side Housing (#1).
4. Install the new Friction Pucks (#11) with the Pan Head Screws (#12), covering the threads with Loctite® No. 271 and torquing them to 20 in-lbs (2.26 Nm).
5. Rebolt the brake together, torquing to 480 in-lbs (54.23 Nm), and follow the installation instructions above.

Loctite® is a registered trademark of the Loctite Corporation, www.loctite.com.

ME220 SERIES (Figure #1 dimensions in inches)

DISC DIA.	A	B	C
6-5/16	2.13	3.07	3.45
8	3.00	3.94	4.32
10	4.00	4.94	5.32
12	5.00	5.94	6.32
16	7.09	8.03	8.41

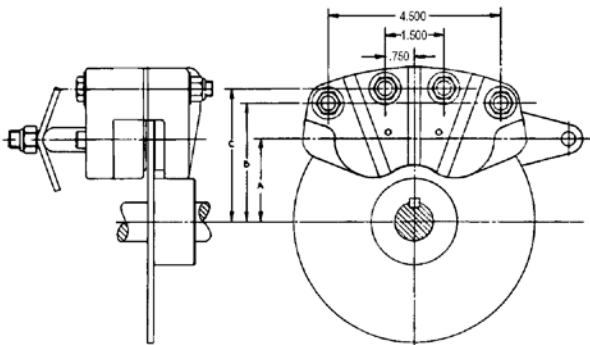


FIGURE #1

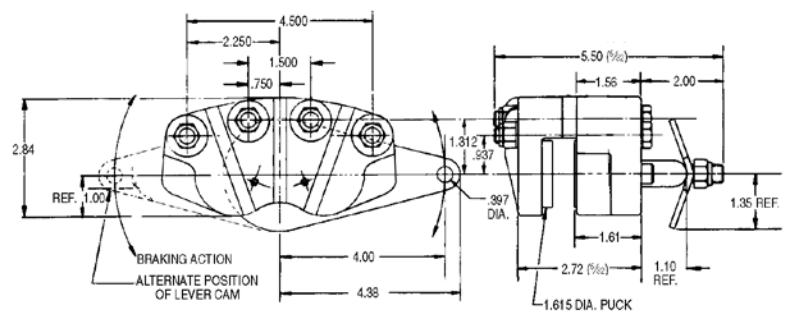


FIGURE #2



3800 County Road 116, Hamel, MN 55340
 http://www.Tolomatic.com • Email: Help@Tolomatic.com
 Phone: (763) 478-8000 • Fax: (763) 478-8080 • Toll Free: 1-800-328-2174



Information furnished is believed to be accurate and reliable. However, Tolomatic assumes no responsibility for its use or for any errors that may appear in this document. Tolomatic reserves the right to change the design or operation of the equipment described herein and any associated motion products without notice. Information in this document is subject to change without notice.