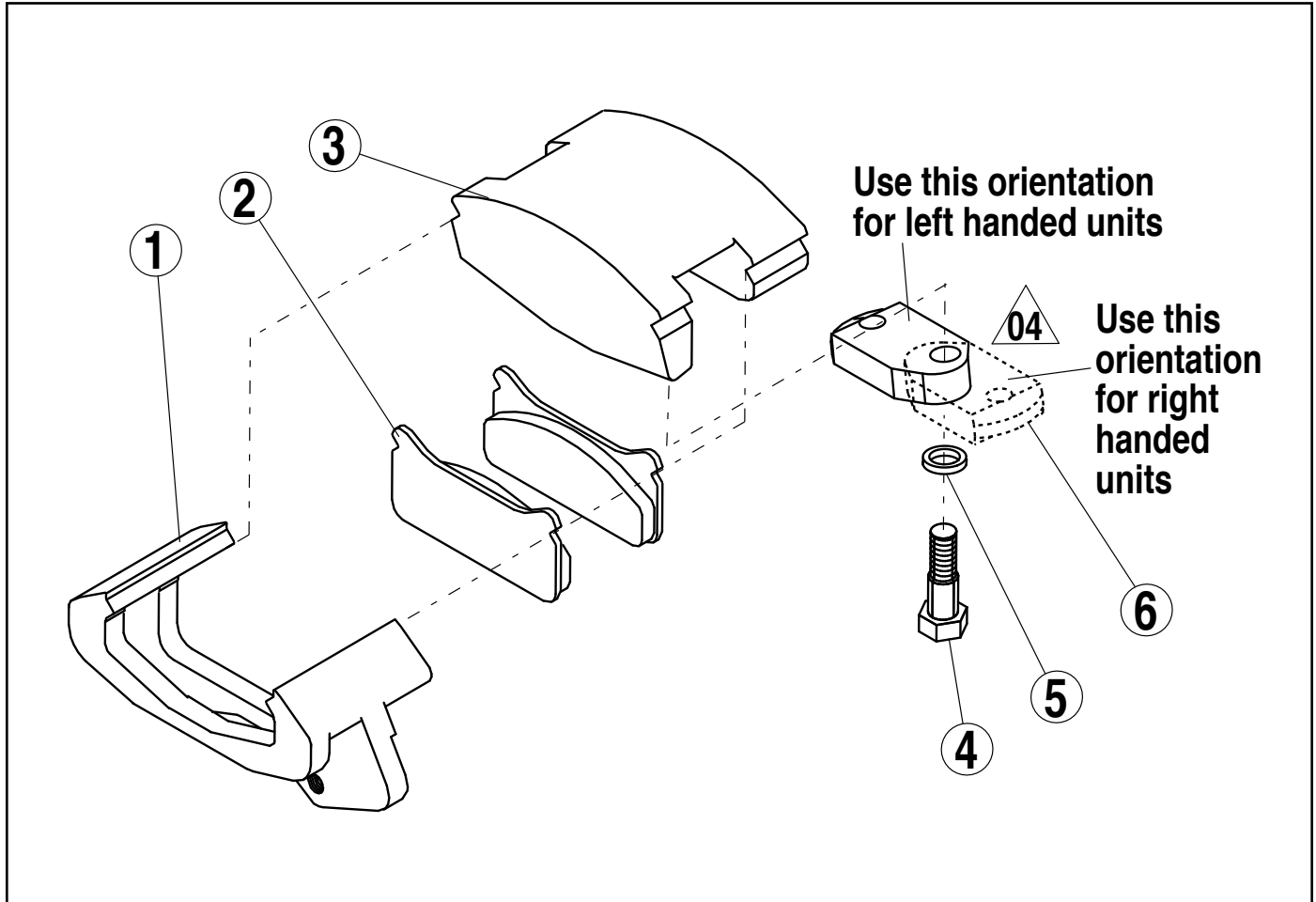


Mechanical Brake 210 Series

TORO

MODEL: 0786-0102
ME210 0786-0103



List of Parts

ITEM	PART NO.	DESCRIPTION	ME210
1.	0786-1003	Brake Bracket, Machined	1
2.	0786-1041	Pad Assembly	2
3.	0786-1038	Housing, ME-210, Machined	1
4.	0786-1039	Hex Bolt, Machined	1
5.	0786-1030	Washer, .422 x .625 x .062, 7/16	1
6.	0786-1028	Lever .5 THK, ME210 Toro	1

INSTALLATION INSTRUCTIONS:

1. When installing this mechanical caliper disc brake, it is of utmost importance that it be centered evenly and squarely over the disc. This will ensure even Pad to disc contact. Proper Pad to disc clearance (for new Pads) should be 0.010 inch to 0.031 inch per side (.25mm to .79mm).
2. To prevent excessive wear, be certain disc does not contact Housing (#3) or Brake Bracket (#1).
3. NOTE: Disc and Pads must be kept free of oil, dirt, grease, etc.
4. Mount Brake Assembly using two (2) SAE Grade 8 or better hex head mounting bolts. Tighten to approximately 480 in.-lbs. (54.2 N-m).
5. Attach actuating mechanism to Lever (#6).
6. Maximum allowable Lever force is 200 lbs. (90.7 kg).

MAINTENANCE INSTRUCTIONS:**Pad Replacement**

1. Disconnect actuating mechanism from Lever (#6).
2. Unbolt mounting bolts and remove Brake Assembly from disc.
3. Slide Housing (#3) out of Brake Bracket (#1).
4. Remove worn Pads (#2) from Housing (#3).
5. Install new Pads (#2) in Housing (#3).
6. Apply an anti-seize grease to machined "V" in Brake Bracket (#1). Slide Housing (#3) back into Brake Bracket. Apply anti-seize to front cam surface of Lever (#6) and backing plate contact area. Check to ensure Lever rotates freely and Pads (#2) and Brake Bracket float freely without any binding.

NOTE: Take care to avoid getting any anti-seize on the friction material.

7. Follow Installation Instructions to continue.

DISASSEMBLY INSTRUCTIONS:

1. Disconnect actuating mechanism from Lever (#6).
2. Unbolt mounting bolts and remove Brake Assembly from disc.
3. Slide Housing (#3) out of Brake Bracket (#1).
4. Remove worn Pads (#2) from Housing (#3).
5. Remove Bolt (#4) from Housing (#3). Remove Lever (#6) and Washer (#5) from Bolt.
NOTE: Inspect Lever for wear. If worn, Lever should be replaced.

ASSEMBLY INSTRUCTIONS:

1. Place Washer (#5) onto Bolt (#4). Apply anti-seize to shoulder portion of Bolt and Loctite #771 to threaded portion of Bolt.
2. Secure Lever (#6) to Housing (#3) with Bolt/Washer assembly from step 1.
NOTE: Lever may be mounted for either a left or right handed orientation.
3. Install new Pads (#2) in Housing (#3).
4. Apply an anti-seize grease to machined "V" in Brake Bracket (#1). Slide Housing (#3) back into Brake Bracket. Apply anti-seize to front cam surface of Lever (#6) and backing plate contact area. Check to ensure Lever rotates freely and Pads (#2) and Brake Bracket float freely without any binding.
NOTE: Take care to avoid getting any anti-seize on the friction material.
5. Follow Installation Instructions to continue.

Loctite® is a registered trademark of the Loctite Corporation, 999 N. Mountain Road, Newington, Connecticut, 06111.



3800 County Road 116, Hamel, MN 55340
<http://www.Tolomatic.com> • Email: Help@Tolomatic.com
 Phone: (763) 478-8000 • Fax: (763) 478-8080 • Toll Free: 1-800-328-2174



Information furnished is believed to be accurate and reliable. However, Tolomatic assumes no responsibility for its use or for any errors that may appear in this document. Tolomatic reserves the right to change the design or operation of the equipment described herein and any associated motion products without notice. Information in this document is subject to change without notice.