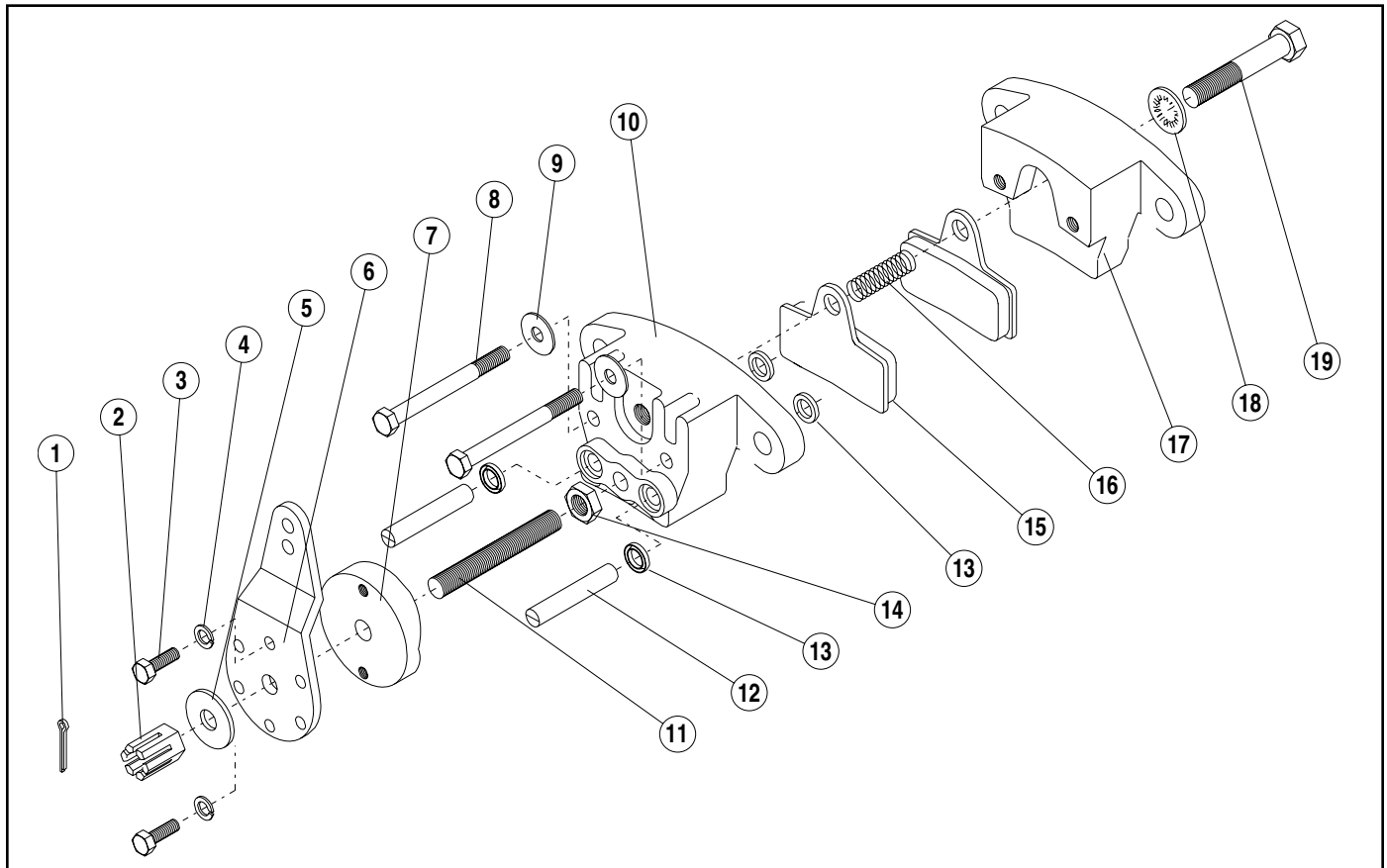


MB3 Mechanical Caliper Disc Brake

Models: 0790-0000



Parts List

Item	Part Number	Description	Qty.	Item	Part Number	Description	Qty.
1.	0790-1007	Cotter Pin	1	11.	0790-1004	Stud	1
2.	0790-1005	Castle Nut	1	12.	0790-1010	Actuating Pin	2
3.	0790-1008	Bolt	2	13.	0790-1017	Wiper Seal	4
4.	0804-1263	Lock Washer	2	14.	0790-1015	Jam Nut	1
5.	0790-1009	Washer	1	15.	0790-1014	Pad Assembly	2
6.	0790-1006	Lever	1	16.	0790-1016	Compression Spring	1
7.	0790-1011	Cam	1	17.	0790-1003	Housing Dead Side	1
8.	0790-1012	Bolt	2	18.	0790-1020	Washer, Lock, Int.	1
9.	0745-1049	Washer	2	19.	0790-1013	Bolt	1
10.	0790-1001	Housing Live Side	1				

Note: All numbers in parentheses refer to item number used in the assembly drawing.

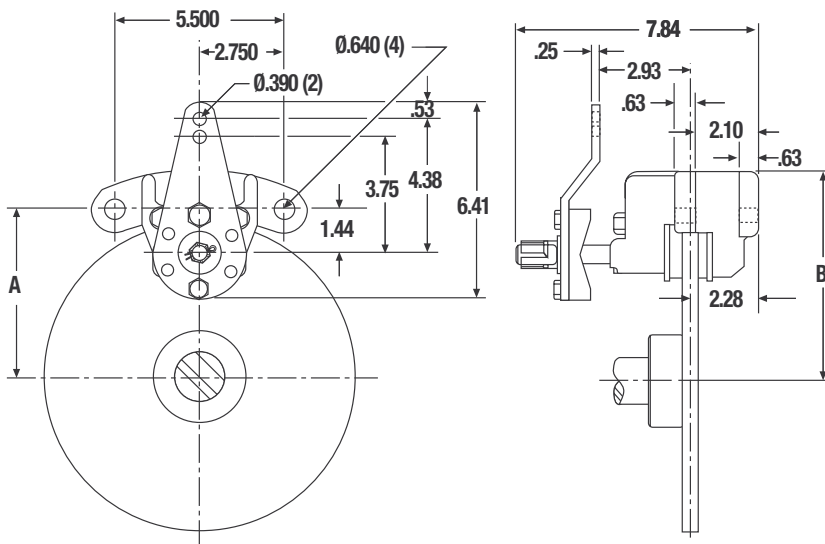
Installation:

1. Mount the brake using two (2) $\frac{5}{8}$ " SAE grade 5 bolts. If the bracket engages the bolts between the mounting lugs, the minimum bolt length is $3\frac{1}{2}$ ". Care must be taken to ensure that the Pads (#15) are parallel with the rotor surface. To prevent excessive wear, ensure that the pads do not rub against the disc surface while the brake is not applied.
2. The disc surface must be free of dirt and grease for maximum lining life and proper braking performance. If the brake is mounted rigidly, the disc must be free to float to adjust for lining wear.
3. Attach the lever actuating mechanism. Maximum lever force is limited to 660 lbf (2,935.8 N).
4. When the brake is installed, remove the Cotter Pin (#1) and tighten the Adjuster Nut (#2) until the Pads (#15) contact the disc. Next back off the Adjuster Nut one full turn to provide adequate running clearance.

Maintenance:

1. Disconnect the Brake Lever Arm (#6) and remove the brake from its mount. If it is accessible, it may be desirable to loosen the Pad Retaining Screw (#19) before removing the brake.
2. Remove the Pad Retaining Bolt (#19) and remove the Pads (#15). Be sure not to lose the Compression Spring (#16) between the two Pads. The Compression Spring prevents the Pads from rattling during operation.
3. Remove the Adjuster Nut (#2), Flat Washer (#5), Lever & Cam Assembly (#3)(#4)(#6) and (#7) and the Actuating Pins (#12). Clean and inspect the Actuating Pins for damage or wear. Apply a fresh coating of high pressure grease before reinserting the Actuating Pins into the caliper assembly. Clean and inspect the Cam (#7) surface for wear or damage. Apply a fresh coating of high pressure grease to the face of the Cam that meets the Actuating Pins and the hole in the center of the Cam. Clean & grease the Flat Washer. Reinstall the Cam & Lever Assembly (#3)(#4)(#6) and (#7), Flat Washer (#5), and Adjuster Nut (#2).
4. Install two new Pads (#15) with the Compression Spring (#16) between the holes in the top of the Pads. Insert the Pad Retaining Bolt (#19) and tighten to 25 ft-lbs (33.9 N-m) torque.
5. Reinstall the brake assembly on the vehicle.

Mounting Dimensions



DISC DIA. IN.		
	A	B
10	5.50	6.73
12	6.50	7.73
14	7.50	8.73
16	8.50	9.73



3800 County Road 116, Hamel, MN 55340
<http://www.Tolomatic.com> • Email: Help@Tolomatic.com
 Phone: (763) 478-8000 • Fax: (763) 478-8080 • Toll Free: 1-800-328-2174



Information furnished is believed to be accurate and reliable. However, Tolomatic assumes no responsibility for its use or for any errors that may appear in this document. Tolomatic reserves the right to change the design or operation of the equipment described herein and any associated motion products without notice. Information in this document is subject to change without notice.