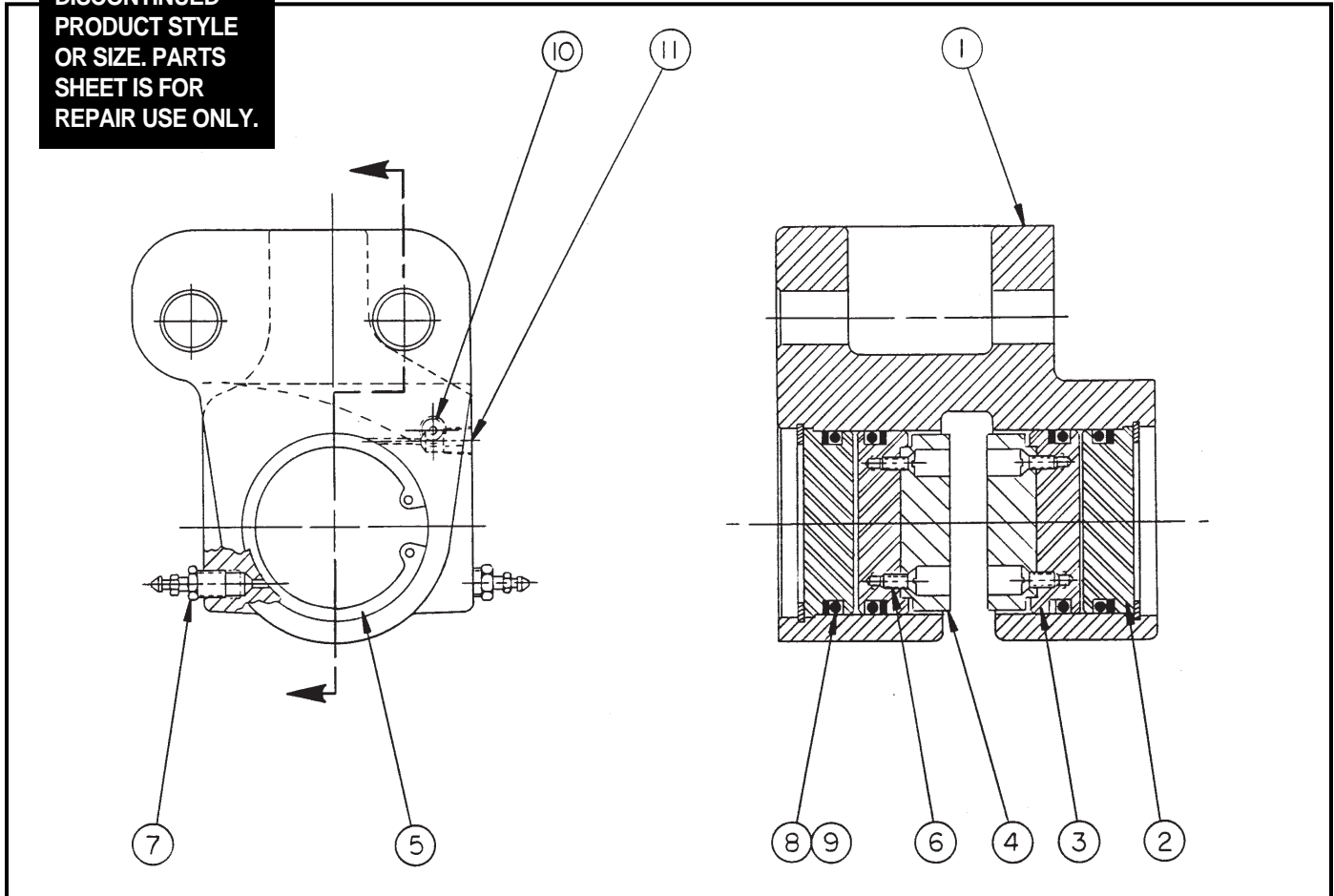


# Hydraulic Brake H660 Series

**Ductile Iron**
**AVAILABLE MODELS:**

<b>H660E</b>	<b>0776-0000</b>
<b>H660EG</b>	<b>0776-0001</b>
<b>H660EV</b>	<b>0776-0002</b>

**DISCONTINUED  
PRODUCT STYLE  
OR SIZE. PARTS  
SHEET IS FOR  
REPAIR USE ONLY.**


**List of Parts**

ITEM	PART NO.	DESCRIPTION	0776-0000	0776-0001	0776-0002
1.	0776-1004	H660 Housing	1	1	1
2.	0776-1002	End Cap	2	2	2
3.	0774-1005	Piston	2	2	2
4.	0774-1006	Puck	2	2	2
5.	0776-1003	Internal Retaining Ring	2	2	2
6.	0768-1002	Flat Head Screw	4	4	4
7.	0740-1002	Bleeder Valve	4	4	4

ITEM	PART NO.	DESCRIPTION	0776-0000	0776-0001	0776-0002
8.	0774-1007	O-Ring, Buna-N	4		
	0774-1008	O-Ring, EPR		4	
	0774-1009	O-Ring, VITON®			4
9.	0774-1009	Back-Up Ring, Buna-N	4		
	0774-1015	Back-Up Ring, Teflon®		4	4
10.	1001-1066	Vinyl Plug	2	2	2
11.	1014-1065	Pipe Plug	2	2	2

LEGEND: "E" indicates a spacer for a 1/2-inch thick disc; "G" indicates EPR seals for use with automotive brake fluid; and "V" indicates VITON® and Teflon® seals for use with non-flammable phosphate-ester hydraulic fluids.

Loctite® is a registered trademark of the Loctite Corporation, [www.loctite.com](http://www.loctite.com)

Lubriplate® is a registered trademark of the Lubriplate Division of Fiske Brothers Refining Company, [www.lubriplate.com](http://www.lubriplate.com)

VITON® and TEFLON® are a registered trademarks of the E.I. Du Pont de Nemours Co., [www.dupont.com](http://www.dupont.com)

**INSTALLATION INSTRUCTIONS**

1. Install brake so that flat face is flush against its mount. Use 3/4 x 5-inch Grade 8 bolts.
2. Disc should be centered in such a manner to allow .030 inch clearance between the puck and disc, per side, when new.
3. Attach hydraulic pressure line to port (#10 or #11) and bleed the brake to remove any trapped air.
4. Maximum pressure 1500 PSI (103 Bars).

**DISASSEMBLY INSTRUCTIONS**

1. Remove the 3/4 x 5-inch mounting bolts and dismount the brake.
2. Disconnect the hydraulic pressure line.
3. Remove Snap Rings (#5).
4. Gently push End Cap (#2) and Piston Assembly (#3) out, taking care not to damage O-Ring (#8) and Back-Up Ring (#9).
5. Remove four Screws (#6) from the Pucks (#4) and inspect the Pucks for cracks and excessive wear. Replace as required.
6. Remove O-Rings (#8) and Back-Up Rings (#9) from End Caps (#2) and Pistons (#2). Replace with new O-rings and Back-Up Rings, lubricating with a good O-Ring grease such as Lubriplate® #105. O-Rings and Back-Up Rings should be arranged such that the O-Ring faces the hydraulic pressure with the Back-Up Ring behind it.
7. Install new Pucks (#4), using Screws (#6). Coat Screws with Loctite® #242.
8. Lubricate bore of the brake housing (#1) with Lubriplate® #105.
9. Install assembled pistons gently from the outside.
10. Reinstall End Caps (#2) with shoulder to the outside of the brake housing.
11. Reinstall the Snap Rings (#5) on End Caps, using a snap-ring pliers.
12. Follow Installation Instructions to remount the brake.



3800 County Road 116, Hamel, MN 55340  
<http://www.Tolomatic.com> • Email: [Help@Tolomatic.com](mailto:Help@Tolomatic.com)  
Phone: (763) 478-8000 • Fax: (763) 478-8080 • Toll Free: 1-800-328-2174



Information furnished is believed to be accurate and reliable. However, Tolomatic assumes no responsibility for its use or for any errors that may appear in this document. Tolomatic reserves the right to change the design or operation of the equipment described herein and any associated motion products without notice. Information in this document is subject to change without notice.